

IMPORTANT - READ BEFORE USE

AUTOMATIC DRY FOOD PET FEEDER

D Seiten 8 - 11

WICHTIG - BITTE VOR VERWENDUNG LESEN

TROCKENFUTTER-AUTOMAT FÜR HAUSTIERE

F Pages 12 - 15

IMPORTANT - À LIRE AVANT USAGE

DISTRIBUTEUR AUTOMATIQUE D'ALIMENTS SECS POUR ANIMAUX

E Páginas 16 - 19

IMPORTANTE - LEA ANTES DE USAR

COMEDERO AUTOMÁTICO DE MASCOTAS PARA PIENSOS SECOS

NL Pagina's 20 - 23

BELANGRIJK! LEES DIT VOOR GEBRUIK

AUTOMATISCH DROOGVOER APPARAAT VOOR HUISDIEREN

Components: (fig. 1)

- A. Hopper lid
- B. Food hopper
- C. Feeding nozzle
- D. Base unit
- E. Feeding bowl
- F. Feeding mechanism
- G. Battery cover

LCD Display / Buttons: (fig. 2)

- 1. 'TIME' button
- 2. AM/PM indicators (12hr mode)
- 3. 'CLOCK' indicator
- 4. MEAL 1 indicator
- 5. MEAL 2 indicator
- 6. MEAL 3 indicator
- 7. FREQUENT FEED indicator
- 8. Low battery indicator
- 9. '-' (MINUS)' button
- 10. '+' (ADVANCE)' button
- 11. Display
- 12. 'FEED' button

D**Bauteile: (Abb. 1)**

- A. Futterbehälterdeckel
- B. Futterbehälter
- C. Futterausgabestutzen
- D. Grundgerät
- E. Futternapf
- F. Futterförderer
- G. Batteriedeckel

LCD-Display / Tasten: (Abb. 2)

- 1. Uhrzeit-Taste (TIME)
- 2. AM/PM-Anzeigen (12-Stunden-Uhrzeitmodus)
- 3. Uhr-Anzeige (CLOCK)
- 4. Anzeige Fütterung (MEAL) 1
- 5. Anzeige Fütterung (MEAL) 2
- 6. Anzeige Fütterung (MEAL) 3
- 7. Anzeige für häufige Fütterung (F)
- 8. Niedrige Batterie-Anzeige
- 9. '-' (MINUS)-Taste
- 10. „+“ (VORWÄRTS)-Taste
- 11. Display
- 12. Futterverbreichungs-Taste (FEED)

F**Composants : (fig. 1)**

- A. Couverture de la trémie
- B. Trémie pour aliments
- C. Buse de distribution
- D. Unité de base
- E. Bol d'alimentation
- F. Mécanisme de distribution
- G. Couverture de la pile

Écran à cristaux liquides/boutons : (fig. 2)

- 1. Bouton « TIME » (HEURE)
- 2. Indicateur AM/PM (mode horloge 12h)
- 3. Indicateur « CLOCK » (MINUTEUR)
- 4. Indicateur MEAL (REPAS) 1
- 5. Indicateur MEAL (REPAS) 2
- 6. Indicateur MEAL (REPAS) 3
- 7. Indicateur FREQUENT FEED (ALIMENTATION FRÉQUENTE)
- 8. Indicateur de batterie faible
- 9. Bouton « - » (MOINS)
- 10. Bouton « + » (AVANCEMENT)
- 11. Affichage
- 12. 'Bouton « FEED » (ALIMENTATION)

E**Componentes: (fig. 1)**

- A. Tapa de la tolva
- B. Tolva de pienso
- C. Boquilla surtidora
- D. Unidad base
- E. Bol comedero
- F. Mecanismo de surtido
- G. Cubierta de pilas

Pantalla LCD / Botones: (fig. 2)

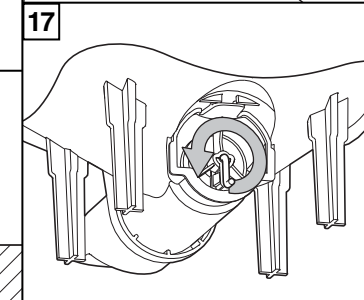
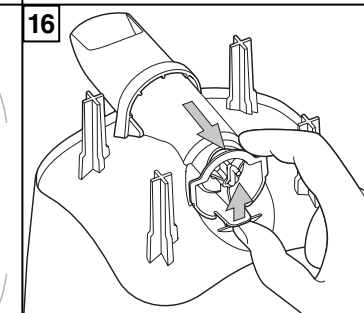
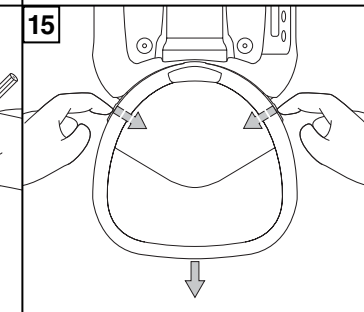
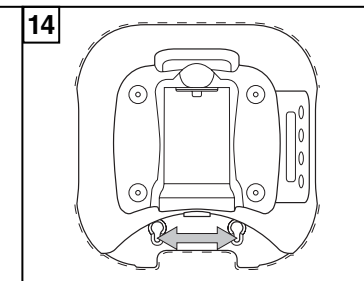
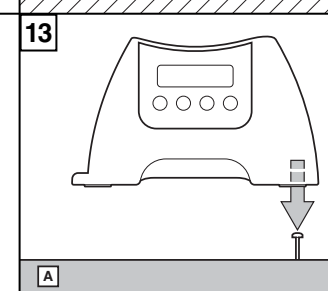
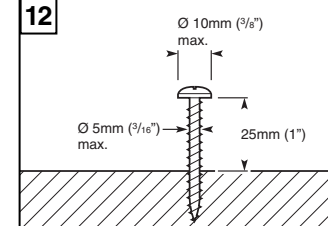
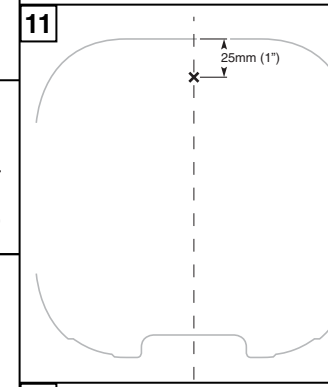
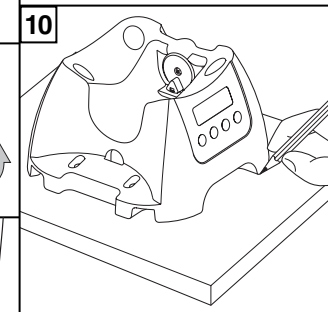
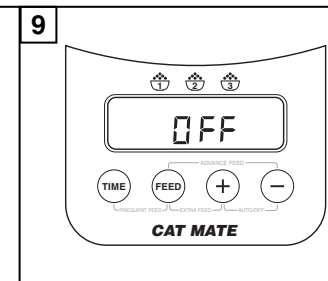
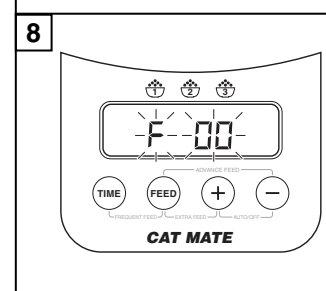
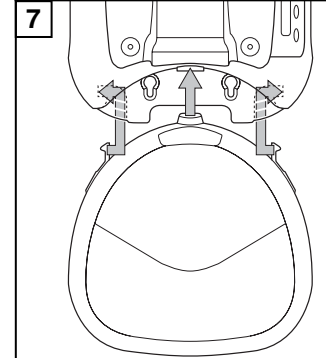
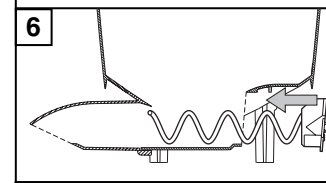
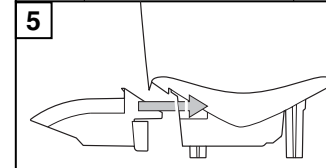
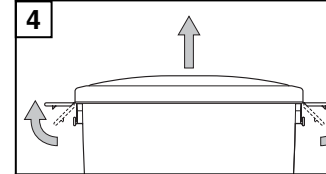
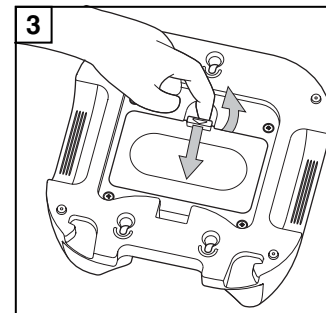
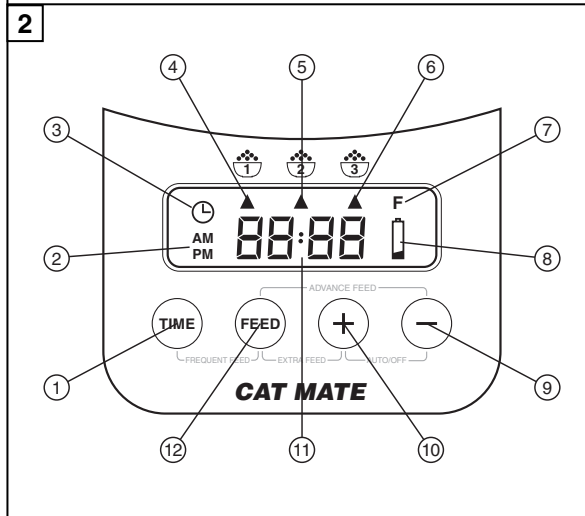
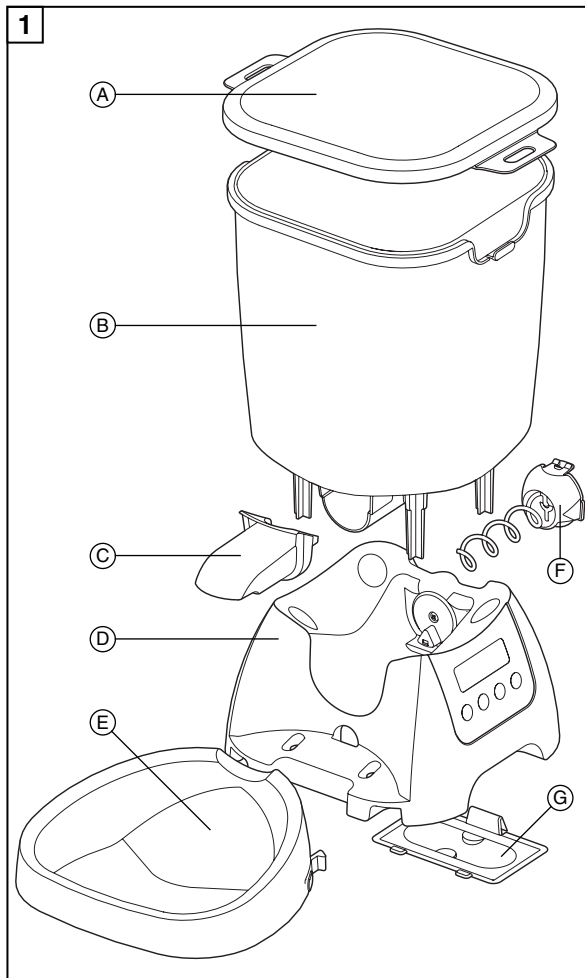
- 1. Botón 'TIME' (HORA)
- 2. Indicadores AM/PM (mañana/tarde) (modo reloj de 12 horas)
- 3. Indicador 'CLOCK' (RELOJ)
- 4. Indicador MEAL (COMIDA) 1
- 5. Indicador MEAL (COMIDA) 2
- 6. Indicador MEAL (COMIDA) 3
- 7. Indicador FREQUENT FEED (SURTIDO FRECUENTE)
- 8. Indicador de pila baja
- 9. Botón '-' (MENOS)
- 10. Botón '+' (AVANCE)
- 11. Pantalla
- 12. Botón 'FEED' (SURTIDO)

NL**Onderdelen: (afb. 1)**

- A. Deksel van voedselbak
- B. Voedselbak
- C. Voedingstuit
- D. Onderstuk
- E. Voerbak
- F. Voedingsmechanisme
- G. Dekplaatje batterijen

LCD Display / Knoppen: (afb. 2)

- 1. 'TIME' (TIJD) knop
- 2. AM/PM-Indicatielampje (12-uurs klok)
- 3. Indicatielampje 'CLOCK' (KLOK)
- 4. Indicatielampje MEAL (MAAL) 1
- 5. Indicatielampje MEAL (MAAL) 2
- 6. Indicatielampje MEAL (MAAL) 3
- 7. Indicatielampje FREQUENT VOEREN
- 8. Indicatielampje lage batterijspanning
- 9. '-' (MIN) knopje
- 10. '+' (PLUS) knopje
- 11. Display
- 12. 'FEED' (VOER) knop



1. Introduction

Thank you for choosing the Cat Mate Electronic Pet Feeder.

The Cat Mate Electronic Pet Feeder allows you to program up to 3 meals over a 24 hour period with the ability to serve each meal in units of approximately 10g ($\frac{1}{3}$ oz). In addition, the feeder will allow you to serve meals in advance of their programmed times, as well as serve extra meals on demand. For pets with specific dietary requirements (e.g. diabetic cats) there is a 'frequent feeding' option which will dispense a programmed meal over a longer period of time.

To ensure your chosen settings cannot easily be tampered with, the control buttons need to be pressed firmly to operate.

If you start the set-up process and abandon it before completion, the operating system will 'time out' after 60 seconds and the current time will be displayed.

Your Cat Mate feeder is manufactured from top quality materials and is assembled to comply with rigorous quality standards. However, we do recommend that before use, you supervise its correct operation over a period of at least 3 days.

This feeder is designed to make a noise when serving food. The noise may frighten timid pets at first, but they will soon learn to associate the noise with feeding time.

The feeder is designed for use with dry (not moist) foods with a maximum size of 16mm ($\frac{5}{8}$ "). However, larger irregular food may be suitable.

When leaving your pet, ensure adequate water and toilet arrangements have been made. Pets, in particular puppies and kittens, must not be left alone for long periods without someone to check periodically that all is well.

2. Fitting the batteries

- 2.1 Lift the hopper out of the base unit.
- 2.2 Invert the base unit and remove the battery cover by releasing the retaining clip (Fig. 3).
- 2.3 Insert 4 good quality alkaline 'C' batteries using the orientation symbols marked in the bottom of the battery compartment. Replace the battery cover.

3. Setting the clock

- 3.1 Press and hold the 'TIME' button for 5 seconds until the hour figure on the clock starts to flash.
- 3.2 Press the '+' or '-' buttons to adjust the clock to the correct hour. Hold down either the '+' or '-' button for longer than 3 seconds to scroll through.
- 3.3 Press the 'TIME' button and the minute figure will flash. Adjust the minutes using the '+' or '-' buttons.
- 3.4 Press the 'TIME' button to save the setting.
- 3.5 To change the clock between 12 hour (AM/PM) and 24 hour formats, press and hold the 'TIME' button and within 3 seconds press the '+' button.

Wait 60 seconds for the display to stop flashing and the clock to set (Fig. 2) before proceeding to the next step.

4. Assembling the pet feeder

- 4.1 Open the hopper lid (Fig. 4) and remove the feeding bowl, feeding nozzle and feeding mechanism.
- 4.2 Push the nozzle in to the front aperture at the base of the hopper (Fig. 5). Ensure correct location with the nozzle opening turned downwards.
- 4.3 Carefully insert the feeding mechanism in to the rear aperture at the base of the hopper (Fig. 6) until the retaining clip clicks in to position. Fit assembled hopper to base unit.
- 4.4 Fit the feeding bowl by locating the tab at the back bowl in to the base unit and clicking the sprung clips either side of the bowl in to position (Fig. 7).

5. Calculation of daily 'feed units'

We strongly recommend that you check your dry food packaging for the 'Daily Feeding Guide' giving information on the quantity that is needed to maintain your pet's health. Many pets are overfed which is both expensive and detrimental to your pet's health.

To calculate the number of 'feed units' for your pet's daily requirement, proceed as follows:

- 5.1 Fill the hopper with a suitable quantity of dry food well in excess of a daily amount. To maintain maximum food freshness/appeal, we recommend that a maximum of 10 days food is loaded.
- 5.2 Fill the feeding mechanism by pressing and holding the 'FEED' button and within 3 seconds pressing and holding the '+' button until the display shows '10'. When feeding stops, press the 'TIME' button to display the clock again. Return food in bowl to hopper.
- 5.3 Repeat 5.2 above, this time holding both buttons until the required **daily** amount of food has been dispensed. When the desired daily amount of food appears in the feeding bowl release both buttons and the feeder will complete its current feed unit. Make a note of the number of feed units displayed on the LCD. After 60 seconds the display will revert to the clock.
- 5.4 We recommend that you weigh the dispensed food from the feeding bowl and cross reference to the 'Daily Feeding Guide' on the food packaging. If the weight is correct, your pet's 'daily feed units' will be the displayed number noted in 5.3. If incorrect, return all of the food back to the hopper and repeat instruction 5.3, making use of the feed unit count on the LCD to increase/decrease the amount of dispensed food.

6. Setting meal sizes

Once you have calculated the number of daily feed units for your pet, decide how you would like that number of units to be dispensed across the programmed meal time settings. (Example: A pet's daily allowance of 20 units can be divided over 3 meal time settings of 6 units in the morning, 8 units at midday and 6 units in the evening.) **Alternatively, consider using the Frequent Feed option described in section 13.**

Set the meal sizes for each programmed meal time as follows:

- 6.1 Press and hold the 'FEED' button for 5 seconds. The letter 'F' next to two zeros ('00') will appear and flash on the display (Fig. 8). Press the '+' or '-' buttons to set the number of feed units for this meal setting.
- 6.2 Press the 'FEED' button again to set the meal sizes for 'MEAL 2' (and 'MEAL 3').
NOTE: Programming the feed units to two zeros ('00') denotes that the feed unit is set to 'off' and the meal indicator will not be displayed when this procedure is completed.
- 6.3 When all meal sizes are programmed, save your settings by pressing the 'FEED' button.

Once the settings are saved, the clock indicator will be shown and the programmed meal indicators will be displayed under the respective food bowl icons (Fig. 2). The indicator representing the next meal time due to be served will flash.

7. Reviewing meal sizes

When the clock indicator is showing you can review all your programmed meal size settings as follows:

- 7.1 Press the 'FEED' button - the programmed feed units set for 'MEAL 1' will display for 60 seconds.
- 7.2 Press the 'FEED' button again within 60 seconds to view the programmed feed units for 'MEAL 2' and again for 'MEAL 3'.
- 7.3 Press the 'FEED' button again to return to the clock display.

8. Setting meal times (Not required for Frequent Feeding option - go to section 13)

- 8.1 Press and hold the 'TIME' button for 5 seconds until the hour figure on the clock starts to flash.
- 8.2 Press the 'TIME' button twice - the hour figure and the 'MEAL 1' indicator will flash.
- 8.3 Set the meal time in the same way as setting the clock, by pressing the '+' or '-' buttons to adjust the hours, press the 'TIME' button again and adjust the minutes.
- 8.4 When the desired meal time is displayed press the 'TIME' button. Repeat 8.3 to set 'MEAL 2' and 'MEAL 3'.
NOTE: If only one (or two) meals per day are required, the setting for 'MEAL 2' (and 'MEAL 3') are not critical.
- 8.5 When all meal times are programmed, save your settings by pressing the 'TIME' button repeatedly until the clock indicator displays (after 'MEAL 3').

9. Reviewing meal times

When the clock indicator is showing you can review all your meal time settings as follows:

- 9.1 Press the 'TIME' button to display the programmed meal time set for 'MEAL 1'.
- 9.2 Press the 'TIME' button again within 60 seconds to view the programmed meal times for 'MEAL 2' and again for 'MEAL 3'.
- 9.3 Press the 'TIME' button again to return to the clock display.

10. Extra feed (in addition to a Set Meal)

If you would like to serve your pet additional units of food at any time, press the 'FEED' and '+' buttons together. The feeder will dispense one unit of food. To serve a number of units, keep both buttons held down and the LCD will display the total number of units dispensed. Release both buttons and the unit will complete its current feed unit. The number of units dispensed will remain displayed for 60 seconds.

11. Advance feed (serving the next Set Meal early)

If you would like to bring a programmed set meal forward, press the 'FEED' and '-' buttons together. The feeder will dispense the next programmed meal due and you may now release both buttons. Once the advanced set meal (e.g. MEAL 2) has been served the next programmed meal indicator (i.e. MEAL 3) will flash on the display and food will not be dispensed until that set time.

You may only advance meals programmed for the same day.

12. Manual feed (dispensing controlled feeds on demand)

This function allows you to serve a predetermined amount of food without programming meal times. Proceed as follows:

- 12.1 Calculate the number of feed units you would like to serve per meal (section 5).
- 12.2 Set 'MEAL 1' with the number of feed units (section 6.1).
- 12.3 Whilst the 'MEAL 1' setting is flashing, press and hold the '+' and '-' buttons together for 5 seconds until 'OFF' is displayed (Fig. 9).

Each time you now press and hold the 'FEED' button for 5 seconds, the programmed 'MEAL 1' will be dispensed.

To turn the feeder back on:

- 12.4 Press and hold the '+' and '-' buttons together for 5 seconds.

The LCD will flash until clock setting is restored.

13. Frequent feed (small feeds at regular intervals)

The Frequent Feed function allows the daily feed units (section 5) to be served over the course of a day, dispensing a single feed unit at a regular interval between a programmed start and finish time. The function is designed for pets with specific dietary requirements (e.g. diabetic cats) or if you wish to regulate the speed of your pet's food intake.

The start/finish times and the feed units can be programmed as follows:

- 13.1 Press and hold the 'TIME' and 'FEED' buttons together for 5 seconds until the Frequent Feed indicator ('F') appears on the LCD (Fig. 2).
- 13.2 Press and hold the 'TIME' button for 5 seconds until the hour figure on the clock starts to flash.
- 13.3 Press the 'TIME' button twice - the hour figure and the 'MEAL 1' (start time) indicator will flash.
- 13.4 Set the start time in the same way as setting the clock, by pressing the '+' or '-' buttons to adjust the hours, then pressing the 'TIME' button again to adjust the minutes.
- 13.5 Press the 'TIME' button. The 'MEAL 3' (finish time) indicator will flash. Repeat 13.4 to set the finish time.
- 13.6 Press the 'TIME' button, the letter 'F' next to two zeros ('00') will appear and flash on the display (Fig. 8). Press the '+' or '-' buttons to set the total daily feed units.
- 13.7 Press the 'TIME' button to save these settings.

The LCD will return to displaying the clock with the 'Frequent Feed', 'MEAL 1' and 'MEAL 3' indicators displayed.

To review, press the 'TIME' button once to view the start time and again for the finish time. Press again to view the feed units and press finally to return to the clock.

To return the feeder to standard operation, press and hold the 'TIME' and 'FEED' buttons together for 5 seconds. The 'Frequent Feed' indicator will disappear and the clock indicator will be displayed along with the meal indicators of any previously saved settings programmed.

14. Turning the feeder off and on

To turn off the feeder and keep the programmed settings:

- 14.1 Press and hold the '+' and '-' buttons together for 5 seconds until 'OFF' is displayed on the LCD (Fig. 9).

To turn the feeder back on:

- 14.2 Press and hold the '+' and '-' buttons together for 5 seconds until LCD displays the clock and the set meal indicators.

15. Changing the batteries

When the low battery indicator (Fig. 2.) flashes on the LCD, the batteries need replacing. Good quality alkaline batteries should normally last approximately 12 months (depending on the number of feed units dispensed).

IMPORTANT:

- **To keep the clock and all the meal settings, you must remove and replace all of the batteries within 60 seconds! The low battery indicator should extinguish when the next meal is served.**
- **DO NOT press any buttons during the removal or replacement of the batteries. Doing so will reset the unit and you will need to re-programme your settings.**

16. Securing the feeder to a board

If your pet(s) are likely to interfere with the feeder, we recommend the feeder is screwed to a suitably sized wooden board. By the following method, the feeder is easily removed from the board without tools when required:

- 16.1 Place the base unit in the desired position on the board. With a pencil, draw around the footprint (Fig. 10).
- 16.2 Draw a centre line on the base unit outline and mark the screw position as shown in Fig. 11.
- 16.3 Select a suitable screw (Fig. 12) and screw it into the board, leaving a distance of 25mm (1") between the board and the base of the screw head to enable the feeder to be removed for battery replacement and cleaning.
- 16.4 Locate the base unit on to the screw and slide it in to the fastened position (Fig. 13).
- 16.5 Line up the base unit within the drawn outline and mark the front screw positions at the narrowest end of the screw holes (Fig. 14).
- 16.6 Remove the base unit from the board. Apply 2 further screws (as specified in 16.3) and locate the base unit back on to the board (as 16.4). If necessary, these 2 screws may be screwed down further to secure the feeder more firmly.

17. Cleaning

The hopper, hopper lid, feeding bowl and feeding mechanism (F) are made from food-safe materials that may be washed in a dishwasher. Clean the base unit using a cloth dampened with water only - detergents and polishes may cause damage.

- 17.1 Remove the feeding bowl from the base unit by holding in the sprung clips on either side and pulling the bowl away from the unit (Fig. 15).
- 17.2 Remove the feeding mechanism by releasing the retaining clip (Fig. 16).

18. Troubleshooting

18.1 Feeder Blockage

Your Cat Mate feeder has been extensively tested with a variety of dry foods but in the unlikely event that the feeder becomes jammed, the base unit is programmed with an automatic clearing function. If however the feeder is unable to clear the blockage, the whole LCD screen will flash. The blockage will need to be cleared manually, as follows:

- Lift the hopper out of the base unit.
- Rotate feeding mechanism by hand as shown in Fig. 17 until food is moving freely again.

NOTE: Before reassembling the feeder, we recommend the batteries are replaced (see section 15). Also consider the use of a different feed that may be less prone to blockage.

- Reassemble the feeder and press the 'TIME' button to stop the display flashing and resume normal operation.

18.2 Display non-responsive

In the unlikely event that the display becomes non-responsive, wait 3 minutes before attempting to press any buttons. If full function is not returned remove batteries for 5 minutes. Then replace batteries and re-programme feeder.

1. Einführung

Vielen Dank dafür, dass Sie sich für den Kauf des Cat Mate Trockenfutter-Automat für Haustiere entschieden haben.

Mit dem Cat Mate Trockenfutter-Automat für Haustiere können Sie bis zu 3 Futterverabreichungen in einem Zeitraum von 24 Stunden programmieren, wobei jede Portion nach Futtereinheiten von zirka 10 g bemessen ausgegeben werden kann. Außerdem können damit auch Futterverabreichungen vor ihren programmierten Uhrzeiten erfolgen, und es können auf Wunsch auch zusätzliche Portionen verabreicht werden. Für Haustiere mit spezifischen Diätanforderungen (z. B. für diabetische Katzen) steht auch eine Option für häufige Fütterverabreichung zur Verfügung, wobei eine programmierte Fütterung über einen längeren Zeitraum ausgedehnt wird.

Damit die von Ihnen gewählten Einstellungen nicht von Unbefugten leicht verstellt werden können, sind die Einstelllasten so konstruiert, dass sie fest gedrückt werden müssen.

Wenn Sie den Einrichtungsprozess starten, diesen aber vor seiner Fertigstellung abbrechen, schaltet das Betriebssystem sich nach 60 Sekunden ab, woraufhin die aktuelle Uhrzeit angezeigt wird.

Ihr Cat Mate Futterautomat ist aus erstklassigen Werkstoffen hergestellt und wird unter Beachtung der strengsten Qualitätsanforderungen zusammengebaut. Es empfiehlt sich jedoch, vor dem tatsächlichen Gebrauch die korrekte Funktionsfähigkeit über einen Zeitraum von 3 Tagen zu überwachen.

Dieser Futterautomat ist so ausgelegt, dass er bei der Futterausgabe ein Geräusch abgibt. Schüchtere Tiere können dadurch anfänglich ein wenig erschreckt werden, doch gewöhnen sie sich schnell daran, dieses Geräusch mit ihrer Fütterzeit in Verbindung zu bringen.

Der Futterautomat ist zur Verwendung mit Trockenfutter (jedoch nicht mit feuchtem Futter) mit einer maximalen Partikelgröße von 16 mm bestimmt. Futter mit größeren, unregelmäßig gestalteten Partikeln kann eventuell ebenfalls geeignet sein.

Wenn Sie Ihr Haustier allein lassen, sollten Sie auch auf entsprechende Vorkehrungen zu seiner Versorgung mit Wasser und für den Stuhlgang bzw. das Urinieren nicht vergessen. Haustiere, ganz besonders junge Welpen und Kätzchen, sollen nicht zu lange allein gelassen werden, wobei in entsprechenden Zeitabständen Nachschau gehalten werden soll.

2. Einlegen der Batterien

- 2.1 Nehmen Sie den Futterbehälter vom Grundgerät ab.
- 2.2 Drehen Sie das Grundgerät um und entfernen Sie den Batteriedeckel, indem sie den Halteklipp öffnen (Abb. 3).
- 2.3 Legen Sie 4 Alkali-Mangan-Batterien guter Qualität vom Typ C ein, wobei unbedingt die Richtungssymbole unten im Batteriefach zu beachten sind. Setzen Sie den Batteriedeckel wieder auf.

3. Einstellung der Uhr

- 3.1 Drücken Sie auf die Taste „TIME“ und halten Sie diese 5 Sekunden lang gedrückt, bis die Ziffern zur Einstellung der Stunden auf der Uhr zu blinken beginnt.
- 3.2 Zum Einstellen der gewünschten Stundenanzeige drücken Sie auf die Taste „+“ oder „-“. Zum schnellen Scrollen halten Sie die Taste „+“ oder „-“ länger als 3 Sekunden gedrückt.
- 3.3 Drücken Sie auf die Taste „TIME“, woraufhin die Minutenziffern zu blinken beginnen. Zum Einstellen der gewünschten Minutenanzeige drücken Sie auf die Taste „+“ oder „-“.
- 3.4 Drücken Sie auf die Taste „TIME“, womit Ihre Einstellung gespeichert wird.
- 3.5 Um die Uhrzeitangabe zwischen dem 12-Stunden-Format (AM/PM) und dem 24-Stunden-Format umzustellen, drücken Sie auf die Taste „TIME“ und halten Sie diese gedrückt, wobei Sie dann innerhalb 3 Sekunden die Taste „+“ drücken.

Warten Sie 60 Sekunden, bis das Display zu blinken aufhört und die Uhrzeit fixiert ist (Abb. 2), bevor Sie zum nächsten Schritt weitergehen.

4. Zusammensetzen des Futterautomaten

- 4.1 Öffnen Sie den Futterbehälterdeckel (Abb. 4) und entfernen Sie den Futternapf, den Futterausgabestutzen und den Futterförderer.
- 4.2 Schieben Sie den Futterausgabestutzen in die dazu bestimmte Öffnung unten am Futterbehälter ein (Abb. 5). Der Stutzen muss dazu zur Futterausgabe nach unten gerichtet sein.
- 4.3 Führen Sie den Futterförderer in die hintere Öffnung unten am Futterbehälter ein (Abb. 6), bis der Halteklipp einklinkt. Setzen Sie den nun fertig zusammengestellten Futterbehälter auf das Grundgerät auf.
- 4.4 Befestigen Sie den Futternapf, indem Sie den hinten daran befindlichen Anschlusszapfen am Grundgerät ausrichten und die Klipps an beiden Seiten des Napfes einführen, bis sie einrasten (Abb. 7).

5. Bestimmung der täglichen Futtereinheiten

Es wird nachdrücklich empfohlen, dass Sie die Angaben auf der verwendeten Trockenfutterpackung über die täglich benötigten Futtermengen sorgfältig beachten, da dies für die Erhaltung der Gesundheit Ihres Haustiers sehr wichtig ist. Es geschieht immer wieder, dass Haustiere überfüttert werden, was sowohl unnötige Kosten verursacht wie auch der Gesundheit Ihres Haustiers schadet.

Zur Bestimmung der täglich benötigten Futtereinheiten gehen Sie bitte wie folgt vor:

- 5.1 Füllen Sie zunächst den Futterbehälter mit so viel Trockenfutter, dass damit der Tagesbedarf um Einiges überschritten wird. Damit das Futter frisch und appetitanregend bleibt, empfiehlt es sich, maximal eine Futtermenge für zehn Tage einzufüllen.

- 5.2 Beschicken Sie den Futterförderer mit Futter, indem Sie die Taste „FEED“ drücken und sie gedrückt halten, wobei Sie innerhalb 3 Sekunden die Taste + drücken und gedrückt halten, bis im Display „10“ erscheint. Wenn die Futterausgabe stoppt, drücken Sie auf die Taste „TIME“, um die Uhr wieder anzuzeigen. Füllen Sie nun das Futter wieder im Futterbehälter ein.
- 5.3 Wiederholen Sie 5.2 wie oben, wobei Sie aber diesmal beide Tasten gedrückt halten, bis die gewünschte **tägliche** Futtermenge ausgegeben ist. Sobald die gewünschte tägliche Futtermenge im Futternapf vorhanden ist, lassen Sie beide Tasten los, woraufhin der Futterautomat die Ausgabe bis zur vollständigen Dosierung der zu diesem Zeitpunkt ausgegebenen Futtereinheit ausführt. Schreiben Sie sich die Zahl der im LCD-Display angezeigten Futtereinheiten auf. Nach Ablauf von 60 Sekunden wird dann im LCD-Display wieder das Uhrensymbolsymbol angezeigt.
- 5.4 Es wird empfohlen, dass Sie das in den Futternapf ausgegebene Futter wägen und mit der auf der Trockenfutterpackung angegebenen täglich benötigten Futtermenge vergleichen. Wenn das Gewicht stimmt, entspricht die unter 5.3 angegebene und notierte Zahl den täglich benötigten Futtereinheiten für Ihr Haustier. Sollte das Gewicht nicht stimmen, so füllen Sie das ausgegebene Futter wieder in den Futterbehälter ein. Führen Sie dann den Schritt 5.3 erneut aus, wobei Sie die im LCD-Display angezeigte Zahl der Futtereinheiten für das ausgegebene Futter erhöhen oder verringern.

6. Bestimmung von Portionengrößen

Nach der Bestimmung der täglich benötigten Futtereinheiten für Ihr Haustier können Sie festlegen, wie Sie diese Menge auf die zu den programmierten Fütterungen ausgegebenen Portionen aufteilen möchten. (Beispiel: Eine pro Tag auszubehende Futtermenge von 20 Futtereinheiten kann bei 3 Fütterungen auf 6 Einheiten am Morgen, 8 Einheiten zu Mittag und 6 Einheiten am Abend aufgeteilt werden.) **Als Alternative kann auch die in Abschnitt 13 beschriebene Option für die häufige Fütterung verwendet werden.**

Die Portionengrößen für jede programmierte Fütterung setzen Sie folgendermaßen fest:

- 6.1 Drücken Sie auf die Taste „FEED“ und halten Sie diese 5 Sekunden gedrückt. Es beginnt dann der Buchstabe „F“ neben den zwei Nullen („00“) im Display zu blinken (Abb. 8). Drücken Sie nun auf die Tasten „+“ oder „-“, um damit die Zahl der Futtereinheiten für diese Fütterung festzusetzen.
HINWEIS: Beim Programmieren der Futtereinheiten auf der Basis der zwei Nullen („00“) geht die Automatik davon aus, dass zu diesem Zeitpunkt die Futtereinheiten ausgeschaltet sind. Die Fütterungen werden deshalb bei der Beendigung dieses Vorgangs nicht angezeigt.
 - 6.2 Drücken Sie erneut auf die Taste „FEED“, um damit die Portionengrößen für „MEAL 2“ (und „MEAL 3“) festzusetzen.
HINWEIS: Beim Programmieren der Futtereinheiten auf der Basis der zwei Nullen („00“) geht die Automatik davon aus, dass zu diesem Zeitpunkt die Futtereinheiten ausgeschaltet sind. Die Fütterungen werden deshalb bei der Beendigung dieses Vorgangs nicht angezeigt.
 - 6.3 Nachdem Sie alle Portionengrößen programmiert haben, speichern Sie Ihre Einstellungen durch Drücken auf die Taste „FEED“.
- Sobald Ihre Einstellungen gespeichert sind, erscheint das Uhrensymbolsymbol, und die programmierten Fütterungen werden unter den betreffenden Futternapfsymbolen angezeigt (Abb. 2). Die Anzeige für die nächstfällige Fütterung blinkt.

7. Überprüfung der Portionengrößen

Wenn das Uhrensymbolsymbol angezeigt wird, können Sie Ihre programmierten Portionengrößen folgendermaßen überprüfen:

- 7.1 Drücken Sie erneut auf die Taste „FEED“. Damit werden die programmierten Futtereinheiten für „MEAL 1“ 60 Sekunden lang angezeigt.
- 7.2 Drücken Sie innerhalb 60 Sekunden erneut auf die Taste „FEED“, um damit die programmierten Futtereinheiten für „MEAL 2“ und durch erneutes Drücken auch für „MEAL 3“ anzuzeigen.
- 7.3 Drücken Sie erneut auf „FEED“, womit das Uhrzeit-Display wieder erscheint.

8. Festsetzen der Fütterungszeiten (bei Verwendung der Option zur häufigen Fütterung nicht erforderlich - in diesem Fall gehen Sie zu Abschnitt 13 weiter)

- 8.1 Drücken Sie auf die Taste „TIME“ und halten Sie diese 5 Sekunden lang gedrückt, bis die Ziffern zur Einstellung der Stunden auf der Uhr zu blinken beginnt.
- 8.2 Drücken Sie zwei Mal auf die Taste „TIME“, woraufhin die Ziffern zur Einstellung der Stunden und die Anzeige „MEAL 1“ zu blinken beginnen.
- 8.3 Stellen Sie die Fütterungszeit auf gleiche Weise wie die Uhrzeit ein, nämlich durch Drücken auf die Tasten „+“ oder „-“ zum Festsetzen der Ziffern für die Stunden. Durch erneutes Drücken der Taste „TIME“ stellen Sie dann die Minuten ein.
- 8.4 Wenn die gewünschte Fütterungszeit angezeigt ist, drücken Sie auf die Taste „TIME“. Zum Festsetzen von „MEAL 2“ und „MEAL 3“ wiederholen Sie nun Schritt 8.3.
HINWEIS: Bei nur einer Fütterung (oder zwei Fütterungen) pro Tag sind die Einstellungen für „MEAL 2“ (und „MEAL 3“) nicht kritisch.
- 8.5 Nachdem Sie alle Fütterungszeiten programmiert haben, speichern Sie Ihre Einstellungen durch wiederholtes Drücken auf die Taste „TIME“, bis das Uhrensymbolsymbol wieder angezeigt wird (nach „MEAL 3“).

9. Überprüfung der Fütterungszeiten

Wenn das Uhrensymbolsymbol angezeigt wird, können Sie alle Ihre programmierten Fütterungszeiten folgendermaßen überprüfen:

- 9.1 Drücken Sie erneut auf die Taste „TIME“, um damit die programmierte Fütterungszeit für „MEAL 1“ anzuzeigen.
- 9.2 Drücken Sie innerhalb 60 Sekunden erneut auf die Taste „TIME“, um damit die programmierte Fütterungszeit für „MEAL 2“ und durch erneutes Drücken auch für „MEAL 3“ anzuzeigen.
- 9.3 Drücken Sie erneut auf „TIME“, womit das Uhrzeit-Display wieder erscheint.

10. Zusätzliche Fütterung (zusätzlich zu eingestellten Fütterungen)

Wenn Sie zu einer beliebigen Zeit Ihrem Haustier zusätzliche Futtereinheiten verabreichen möchten, dann drücken Sie gleichzeitig auf die Tasten „FEED“ und „+“. Der Futterautomat gibt daraufhin eine Futtereinheit aus. Um auf diese Weise mehrere Futtereinheiten auszugeben, halten Sie beide Tasten gedrückt, woraufhin im LCD-Display die Gesamtzahl der ausgegebenen Futtereinheiten angezeigt wird. Sobald Sie nun beide Tasten loslassen, wird die Ausgabe bis zur vollständigen Dosierung der zu diesem Zeitpunkt ausgegebenen Futtereinheit ausgeführt. Die Zahl der ausgegebenen Futtereinheiten wird nun 60 Sekunden lang angezeigt.

11. Vorgezogene Fütterung (vorzeitige Ausgabe der nächsten eingestellten Fütterung)

Wenn Sie eine programmierte Fütterung vorzeitig ausführen möchten, dann drücken Sie gleichzeitig auf die Tasten „FEED“ und „-“. Der Futterautomat gibt daraufhin die nächste programmierte Portion aus, und Sie können nun beide Tasten wieder los lassen. Nachdem die eingestellte Fütterung (z. B. „MEAL 2“) vorzeitig vorgenommen wurde, beginnt die nächste programmierte Fütterungsanzeige (also „MEAL 3“) zu blinken. Die nächste Portion wird dann zur nächsten eingestellten Fütterungszeit ausgegeben werden.

Sie können nur für denselben Tag programmierte Fütterungen vorzeitig ausführen.

12. Manuelle Fütterung (Ausgabe von vorbestimmten Portionen auf Anforderung)

Mit dieser Funktion können Sie vorbestimmte Portionen ohne Programmierung von Fütterungszeiten verabreichen. Dazu gehen Sie folgendermaßen vor:

- 12.1 Bestimmen Sie die Zahl der Futtereinheiten, die Sie pro Fütterung verabreichen möchten (siehe Abschnitt 5).
- 12.2 Stellen Sie für „MEAL 1“ [Fütterung 1] die Zahl der Futtereinheiten ein (siehe Abschnitt 6.1).
- 12.3 Während „MEAL 1“ blinkt, drücken Sie gleichzeitig auf die Tasten „+“ und „-“ und halten Sie diese 5 Sekunden lang gedrückt, bis „OFF“ angezeigt wird (Abb. 9).

Jedes Mal, wenn Sie nun die Taste „FEED“ drücken und 5 Sekunden lang gedrückt halten, wird nun wie programmiert „MEAL 1“ ausgegeben.

Zum Wiedereinschalten des Futterautomaten:

- 12.4 Drücken Sie gleichzeitig auf die Tasten „+“ und „-“, und halten Sie diese 5 Sekunden gedrückt.

Die LCD-Anzeige blinkt nun, bis die Uhrzeit wieder eingestellt ist.

13. Häufige Fütterung (Ausgabe kleiner Portionen zu regelmäßigen Intervallen)

Die Funktion Frequent Feed ermöglicht die Ausgabe der täglichen Futtereinheiten (siehe Abschnitt 5) im Verlauf eines Tages. Dabei wird zwischen einer programmierten Start- und Endzeit zu regelmäßigen Intervallen jeweils eine einzige Futtereinheit ausgegeben. Diese Funktion ist besonders für Haustiere mit spezifischen Diätanforderungen (z. B. diabetische Katzen) konzipiert, oder wenn Sie die zeitliche Abfolge der Futteraufnahme Ihres Haustieres steuern möchten.

Die Start- und Endzeiten und die Futtereinheiten programmieren Sie folgendermaßen:

- 13.1 Drücken Sie gleichzeitig auf die Tasten „TIME“ und „FEED“, und halten Sie diese 5 Sekunden lang gedrückt, bis die Anzeige für die häufige Fütterung („F“) im LCD-Display erscheint (Abb. 2).
- 13.2 Drücken Sie auf die Taste „TIME“ und halten Sie diese 5 Sekunden lang gedrückt, bis die Ziffern zur Einstellung der Stunden auf der Uhr zu blinken beginnen.
- 13.3 Drücken Sie zwei Mal auf die Taste „TIME“, woraufhin die Ziffern zur Einstellung der Stunden und die Startzeit für „MEAL 1“ zu blinken beginnen.
- 13.4 Stellen Sie die Startzeit auf die gleiche Weise wie die Uhrzeit ein, nämlich durch Drücken auf die Tasten „+“ oder „-“ zum Festsetzen der Ziffern für die Stunden. Durch erneutes Drücken der Taste „TIME“ stellen Sie dann die Minuten ein.
- 13.5 Drücken Sie auf die Taste „TIME“. Die Endzeit-Anzeige für „MEAL 3“ beginnt nun zu blinken. Zum Einstellen der Endzeit wiederholen Sie nun Schritt 13.4.
- 13.6 Nun drücken Sie auf die Taste „TIME“. Es beginnt dann der Buchstabe „F“ neben den zwei Nullen („00“) im Display zu blinken (Abb. 8). Drücken Sie nun auf die Tasten „+“ oder „-“, um damit die Gesamtzahl der täglichen Futtereinheiten festzusetzen.
- 13.7 Drücken Sie auf die Taste „TIME“, womit diese Einstellungen gespeichert werden.

Im LCD-Display erscheint nun wieder das Uhrensymbol, wobei auch „F“ für häufige Fütterung, „MEAL 1“ und „MEAL 3“ angezeigt werden.

Zur Überprüfung drücken Sie ein Mal auf die Taste „TIME“ zur Anzeige der Startzeit und noch ein Mal zur Anzeige der Endzeit. Zur Anzeige der Futtereinheiten drücken Sie erneut, und dann noch ein weiteres Mal, um zur Uhr zurückzukehren.

Um den Futterautomaten wieder auf den Standardbetrieb zurückzusetzen, drücken Sie gleichzeitig auf die Tasten „TIME“ und „FEED“ und halten diese 5 Sekunden lang gedrückt. Die Anzeige für „F“ für häufige Fütterung verschwindet dann. Es wird nun das Uhrensymbol zusammen mit den Fütterungsanzeigen von früher programmierten und gespeicherten Einstellungen angezeigt.

14. Abschalten des Futterautomaten

Zum Abschalten des Futterautomaten unter Beibehaltung der programmierten Einstellungen:

- 14.1 Drücken Sie gleichzeitig auf die Tasten „+“ und „-“, und halten Sie diese 5 Sekunden lang gedrückt, bis die Anzeige „OFF“ (AUS) im LCD-Display erscheint (Abb. 9).

Zum Wiedereinschalten des Futterautomaten:

- 14.2 Drücken Sie gleichzeitig auf die Tasten „+“ und „-“, und halten Sie diese 5 Sekunden lang gedrückt, bis das Uhrensymbol und die Anzeige für die eingestellten Fütterungen im LCD-Display erscheinen.

15. Auswechseln der Batterien

Wenn die Anzeige für niedrigen Batterieladestatus (Abb. 2.) im LCD-Display blinkt, müssen die Batterien ausgetauscht werden. Alkali-Mangan-Batterien von guter Qualität halten im Normalbetrieb ungefähr 12 Monate (wobei ihre tatsächliche Betriebsdauer nach der Zahl der ausgegebenen Futtereinheiten schwankt).

WICHTIG:

- **Damit die eingestellte Uhrzeit und alle Fütterungszeiten beibehalten werden, müssen alle Batterien innerhalb eines Zeitraums von 60 Sekunden ausgetauscht werden! Die Anzeige für niedrigen Batterieladestatus sollte erlöschen wenn die nächste Fütterung erfolgt.**
- **Drücken Sie während des Herausnehmens und des Einlegens neuer Batterien auf KEINERLEI Tasten. Damit würde nämlich der Futterautomat zurückgesetzt werden, wodurch dann alle Einstellungen neuerlich programmiert werden müssten.**

16. Befestigung des Futterautomaten auf einem Brett

Wenn Ihr Haustier/Ihre Haustiere eventuell die Position des Futterautomaten zu verschieben bzw. diesen umzuwerfen versuchen könnten, empfiehlt es sich, das Gerät auf einem Holzbrett von entsprechender Größe festzuschrauben. Wenn Sie der beschriebenen Vorgangsweise folgen, kann der Futterautomat bei Bedarf auch ohne Verwendung von Werkzeugen vom Brett abgenommen werden:

- 16.1 Platzieren Sie das Grundgerät in der gewünschten Position auf dem Brett. Markieren Sie den Umriss mit einem Bleistift auf dem Brett (Abb. 10).
- 16.2 Ziehen Sie eine Mittellinie durch den Umriss und markieren Sie die Position für die Halteschraube, wie in Abb. 11 gezeigt.
- 16.3 Schrauben Sie eine Schraube passender Größe (Abb. 12) in das Brett, wobei zwischen dem Brett und dem unteren Rand des Schraubenkopfes ein Abstand von 25 mm belassen wird. Damit kann dann der Futterautomat zum Austauschen der Batterien und zur Reinigung problemlos abgenommen werden.
- 16.4 Bringen Sie das Grundgerät zur Schraube heran und schieben Sie es in die Befestigungsposition (Abb. 13).
- 16.5 Richten Sie das Grundgerät nach der eingezeichneten Umrisslinie aus, und markieren Sie die vorderen Schraubenpositionen am engsten Ende der Schraubenlöcher (Abb. 14).
- 16.6 Nehmen Sie das Grundgerät wieder vom Brett ab. Schrauben Sie zwei weitere Schrauben (siehe 16.3) ein, und bringen Sie das Grundgerät wieder auf dem Brett an (siehe 16.4). Falls erforderlich, können diese zwei Schrauben zur besseren Befestigung stärker angezogen werden.

17. Reinigung

Der Futterbehälter, der Futternapf und der Futterförderer (F) sind aus lebensmittelechten Werkstoffen hergestellt und können in einer Geschirrspülmaschine gewaschen werden. Das Grundgerät soll nur mit einem mit Wasser befeuchteten Tuch gereinigt werden, da Reinigungs- und Poliermittel Schäden verursachen können.

- 17.1 Nehmen Sie den Futternapf vom Grundgerät ab, indem Sie die Klipps an beiden Seiten eingedrückt halten und den Futternapf vom Grundgerät abziehen (Abb. 15).
- 17.2 Entfernen Sie den Futterförderer durch Lösen des Halteklipps (Abb. 16).

18. Fehlersuche

- 18.1 Bei Verstopfung des Futterautomaten

Ihr Cat Mate Futterautomat wurde mit verschiedenen Arten von Trockenfutter eingehend getestet. Im unwahrscheinlichen Fall, dass dennoch im Futterautomat eine Verstopfung eintreten sollte, ist das Grundgerät so programmiert, dass eine automatische Entstopfungsfunktion ausgelöst wird. Wenn jedoch mit dieser Funktion die Verstopfung nicht behoben werden sollte, beginnt das gesamte LCD-Display zu blinken. In diesem Fall muss dann die Verstopfung manuell beseitigt werden, und zwar wie folgt:

- Nehmen Sie den Futterbehälter vom Grundgerät ab.
- Drehen Sie den Futterförderer mit der Hand, wie in Abb. 17 gezeigt, bis das Futter wieder ungehindert durchgehen kann.

HINWEIS: Bevor der Futterautomat wieder zusammengestellt wird, empfiehlt es sich, die Batterien auszutauschen (siehe Abschnitt 15). Außerdem sollte in diesem Fall die Verwendung eines anderen Futters erwogen werden, das weniger für Verstopfen anfällig ist.

- Stellen Sie den Futterautomaten erneut zusammen und drücken Sie auf die Taste „TIME“, um damit das Blinken des Displays abzustellen und den normalen Betrieb des Geräts wieder aufzunehmen.

- 18.2 Bei Nicht-Ansprechen des Displays

Im unwahrscheinlichen Fall, dass das Display nicht ansprechen sollte, warten Sie 3 Minuten, bevor Sie erneut wieder auf irgendeine Taste drücken. Wenn damit die volle Funktion nicht wiederhergestellt werden sollte, nehmen Sie die Batterien 5 Minuten lang heraus. Dann setzen Sie die Batterien wieder ein und programmieren den Futterautomaten erneut.

1. Introduction

Nous vous remercions d'avoir choisi le distributeur automatique d'aliments secs pour animaux Cat Mate.

Le distributeur automatique d'aliments secs pour animaux Cat Mate vous permet de programmer jusqu'à 3 repas sur une période de 24 heures, avec la possibilité de servir les repas dans des unités/doses d'environ 10g. Le nourrisseur vous permet également de servir les repas avant l'heure programmée, ainsi que de servir des repas supplémentaires à la demande. Pour les animaux ayant des exigences alimentaires spécifiques (par exemple un chat diabétique), une option « alimentation fréquente » vous permet de répartir un repas programmé sur une période plus longue.

Afin d'éviter que vos réglages ne soient facilement modifiés, nous avons conçu les touches de commandes de sorte qu'elles nécessitent une pression ferme pour fonctionner.

Si vous démarrez le processus de configuration et l'abandonnez avant la fin, le système d'exploitation reviendra à l'heure courante après 60 secondes.

Votre nourrisseur Cat Mate est fabriqué dans des matériaux de qualité supérieure et assemblé en conformité avec les normes de qualité les plus rigoureuses. Cependant, nous vous recommandons, avant de l'utiliser, de vous assurer de son bon fonctionnement sur une période d'au moins 3 jours.

Ce nourrisseur est conçu pour faire du bruit lorsqu'il sert de la nourriture. Le bruit peut effrayer les animaux de compagnie timides au début, mais ils apprendront bientôt à l'associer à l'heure du repas.

Le nourrisseur est conçu pour être utilisé avec les aliments secs (non humides) d'une taille maximale de 16 mm. Il se peut toutefois que les aliments de grande taille et de forme irrégulière conviennent également.

Quand vous laissez votre animal de compagnie seul, veillez à lui laisser suffisamment d'eau et de matériau de literie. Ne pas laisser les animaux de compagnie, notamment les chiots et les chatons, seuls pendant de longues périodes sans que quelqu'un vienne vérifier régulièrement que tout va bien.

2. Installation des piles

- 1 Soulevez la trémie de l'unité de base.
- 2 Inversez l'unité de base et retirez le couvercle des piles en relâchant le clip de fixation (fig. 3).
- 3 Insérez 4 piles alcalines de type C de bonne qualité en respectant les symboles de polarité marqués au fond du logement des piles. Remettez le couvercle des piles en place.

3. Réglez l'horloge

- 1 Maintenez le bouton « TIME » enfoncé pendant 5 secondes jusqu'à ce que le chiffre des heures commence à clignoter.
- 2 Appuyez sur le bouton « + » ou « - » pour régler l'horloge sur l'heure correcte. Maintenez le bouton « + » ou « - » enfoncé pendant plus de 3 secondes pour faire défiler les chiffres.
- 3 Appuyez sur le bouton « TIME » et les chiffres des minutes clignoteront. Réglez les minutes en utilisant les boutons « + » ou « - ».
- 4 Appuyez sur la touche « TIME » pour sauvegarder le réglage.
- 5 Pour permuter entre le format 12 heures (AM/PM) et 24 heures, maintenez le bouton « TIME » enfoncé et appuyez sur le bouton « + » dans les 3 secondes.

Patiencez 60 secondes pour que l'affichage cesse de clignoter et que l'horloge soit réglée (fig. 2) avant de passer à l'étape suivante.

4. Assemblage du nourrisseur animalier

- 1 Ouvrez le couvercle de la trémie (fig. 4) et retirez le bol d'alimentation, la buse de distribution et le mécanisme de distribution.
- 2 Poussez la buse dans l'ouverture frontale à la base de la trémie (fig. 5). Veillez à ce qu'elle soit correctement positionnée, ouverture tournée vers le bas.
- 3 Insérez délicatement le mécanisme de distribution dans l'ouverture arrière à la base de la trémie (fig. 6) jusqu'à ce que le clip de rétention se clique en place. Remontez la trémie sur l'unité de base.
- 4 Remontez le bol d'alimentation en positionnant l'onglet à l'arrière du bol dans l'unité de base et en cliquant en position les clips à ressort de chaque côté du bol (fig. 7).

5. Calcul des « unités d'alimentation » quotidiennes

Nous vous recommandons vivement de vérifier les informations de dosage quotidien sur l'emballage de vos aliments secs, qui vous renseigneront sur la quantité nécessaire pour maintenir votre animal de compagnie en bonne santé. Il n'est pas rare que les animaux soient trop nourris, ce qui s'avère à la fois coûteux et préjudiciable à leur santé.

Pour calculer le nombre d'« unités d'alimentation » quotidiennes requises par votre animal, veuillez procéder comme suit :

- 5.1 Remplissez la trémie avec une quantité appropriée de nourriture sèche bien au-delà d'un montant journalier. Pour conserver la fraîcheur et l'attractivité optimale des aliments, nous vous recommandons de ne pas charger plus de 10 jours de nourriture.
- 5.2 Remplissez le mécanisme d'alimentation en appuyant sur le bouton « FEED » et, dans les 3 secondes, maintenez le bouton « + » enfoncé jusqu'à ce que l'écran affiche « 10 ». Quand la distribution de nourriture s'arrête, appuyez sur la touche « TIME » pour afficher à nouveau l'horloge. Remettez dans la trémie la nourriture qui reste dans le bol.
- 5.3 Répétez 5.2 ci-dessus, cette fois en tenant les deux boutons jusqu'à ce que la dose **journalière** requise ait été distribuée. Lorsque la quantité quotidienne de nourriture désirée apparaît dans le bol d'alimentation, relâchez les deux boutons et le nourrisseur terminera son unité d'alimentation en cours. Notez le nombre d'unités d'alimentation affiché à l'écran. L'affichage reviendra à l'horloge après 60 secondes.
- 5.4 Nous vous recommandons de peser les aliments distribués dans le bol d'alimentation et de comparer le résultat aux recommandations de dosage quotidien de l'emballage. Si le poids est correct, les « unités d'alimentation » quotidiennes de votre animal correspondront au numéro affiché noté en 5.3. S'il est incorrect, remettez tous les aliments dans la trémie et répétez l'instruction 5.3, en utilisant le nombre d'unités d'alimentation affiché à l'écran pour augmenter/diminuer la quantité de nourriture distribuée.

6. Déterminer la taille des repas

Une fois que vous aurez calculé le nombre d'unités d'alimentation quotidiennes pour votre animal, décidez comment vous souhaitez que ces unités soient réparties par rapport aux repas programmés. (Exemple : une dose journalière de 20 unités peut se répartir sur 3 repas de 6 unités le matin, 8 à midi et 6 le soir). **On peut également envisager d'utiliser l'option d'alimentation fréquente décrite à la section 13.**

Définissez la taille de chaque repas programmé comme suit :

- 6.1 Maintenez le bouton « FEED » enfoncé pendant 5 secondes. La lettre « F » accompagnée de deux zéros (« 00 ») s'affichera et clignotera à l'écran (fig. 8). Appuyez sur les boutons « + » ou « - » pour définir le nombre d'unités d'alimentation pour cette configuration de repas.
- 6.2 Appuyez à nouveau sur le bouton « FEED » pour définir la taille du repas pour « MEAL 2 » (et « MEAL 3 »).
REMARQUE : la programmation des unités d'alimentation sur deux zéros (« 00 ») indique que l'unité d'alimentation est réglée sur « OFF » (ARRÊT) et l'indicateur de repas ne s'affichera pas à la fin de cette procédure.
- 6.3 Une fois toutes les tailles de repas programmées, enregistrez vos réglages en appuyant sur le bouton « FEED ».

Une fois les réglages enregistrés, l'indicateur de l'horloge s'affichera et les indicateurs de repas programmés s'afficheront sous les icônes respectives du bol d'alimentation (fig. 2). L'indicateur qui représente l'heure du prochain repas clignotera.

7. Révision de la taille des repas

Lorsque l'indicateur de l'horloge est affiché, vous pouvez réviser toutes les doses de repas programmées comme suit :

- 7.1 Appuyez sur le bouton « FEED » - les unités d'alimentation programmées pour « MEAL 1 » s'afficheront pendant 60 secondes.
- 7.2 Appuyez à nouveau sur le bouton « FEED » dans les 60 secondes pour afficher les unités d'alimentation programmées pour « MEAL 2 » et à nouveau pour « MEAL 3 ».
- 7.3 Appuyez à nouveau sur la touche « FEED » pour afficher l'horloge.

8. Réglage des heures des repas (non nécessaire pour l'option « Frequent Feeding » alimentation fréquente - passez directement à la section 13)

- 8.1 Maintenez le bouton « TIME » enfoncé pendant 5 secondes jusqu'à ce que le chiffre des heures commence à clignoter.
- 8.2 Appuyez deux fois sur le bouton « TIME » - le chiffre des heures et l'indicateur « MEAL 1 » clignoteront.
- 8.3 Fixez l'heure du repas de la même manière que pour le réglage de l'horloge, en appuyant sur le « + » ou le « - » pour régler les heures, puis appuyez à nouveau sur le bouton « TIME » pour régler les minutes.
- 8.4 Lorsque l'heure du repas désiré s'affiche, appuyez sur le bouton « TIME ». Répétez 8.3 pour régler « MEAL 2 » et « MEAL 3 ».

REMARQUE : si un seul (ou deux) repas par jour sont requis, le réglage de « MEAL 2 » (et « MEAL 3 ») n'est pas critique.

- 8.5 Une fois toutes les heures de repas programmées, enregistrez vos réglages en appuyant sur le bouton « TIME » jusqu'à ce que l'indicateur de l'horloge s'affiche (après « MEAL 3 »).

9. Révision de l'heure des repas

Lorsque l'indicateur de l'horloge est affiché, vous pouvez réviser toutes les heures de repas programmées comme suit :

- 9.1 Appuyez sur le bouton « TIME » pour afficher l'heure des repas programmées pour « MEAL 1 ».
- 9.2 Appuyez à nouveau sur le bouton « TIME » dans les 60 secondes pour afficher les heures des repas programmées pour « MEAL 2 » et à nouveau pour « MEAL 3 ».
- 9.3 Appuyez à nouveau sur la touche « TIME » pour afficher l'horloge.

10. Aliments supplémentaires (en complément d'un repas fixe)

Si vous voulez servir à votre animal une dose additionnelle de nourriture à n'importe quel moment, appuyez en même temps sur les touches « FEED » et « + ». Le nourrisseur distribuera une unité de nourriture. Pour servir un nombre donné d'unités, maintenez les deux boutons enfoncés et l'écran affichera le nombre total d'unités distribuées. Relâchez les deux boutons et l'unité terminera son unité d'alimentation en cours. Le nombre d'unités distribuées restera affiché pendant 60 secondes.

11. Distribution avancée (servir le prochain repas plus tôt que prévu)

Si vous souhaitez faire avancer un menu programmé, appuyez sur les touches « FEED » et « - » en même temps. Le nourrisseur distribuera le repas programmé suivant et vous pourrez relâcher les deux boutons. Une fois le repas (par exemple « MEAL 2 ») servi à l'avance, l'indicateur du prochain repas programmé (par exemple « MEAL 3 ») se mettra à clignoter sur l'écran, et la nourriture ne sera pas distribuée avant l'heure fixée.

Vous ne pouvez avancer que les repas programmés pour le jour même.

12. Alimentation manuelle (distribution de doses contrôlées à la demande)

Cette fonction vous permet de servir une quantité prédéterminée de nourriture sans programmer de repas. Veuillez procéder comme suit :

- 12.1 Calculez le nombre d'unités d'alimentation que vous voulez servir par repas (section 5).
- 12.2 Réglez « MEAL 1 » sur le nombre d'unités d'alimentation (section 6.1).
- 12.3 Lorsque le réglage « MEAL 1 » clignote, maintenez les touches « + » et « - » enfoncées simultanément pendant 5 secondes jusqu'à ce que la mention « OFF » s'affiche (fig. 9).

Chaque fois que vous maintenez le bouton « FEED » enfoncé pendant 5 secondes, le repas « MEAL 1 » est distribué.

Réactivation du nourrisseur :

- 12.4 Maintenez les touches « + » et « - » enfoncées simultanément pendant 5 secondes.

L'écran clignotera jusqu'à ce que réglage de l'horloge soit rétabli.

13. Alimentation fréquente (petites doses à intervalles réguliers)

La fonction Alimentation fréquente permet de servir les unités d'alimentation quotidienne (section 5) tout au long d'une journée, en distribuant une unité d'alimentation selon un intervalle régulier entre une heure de début et une heure de fin programmées. La fonction est conçue pour les animaux de compagnie ayant des besoins diététiques spécifiques (par exemple un chat diabétique), ou si vous souhaitez réguler la vitesse de consommation de nourriture par votre animal.

Les heures de début et de fin et les unités d'alimentation peuvent être programmées comme suit :

- 13.1 Maintenez les boutons « TIME » et « FEED » enfoncés simultanément pendant 5 secondes jusqu'à ce que l'indicateur d'alimentation fréquente (« F ») apparaisse sur l'écran (fig. 2).
- 13.2 Maintenez le bouton « TIME » enfoncé pendant 5 secondes jusqu'à ce que le chiffre des heures commence à clignoter.
- 13.3 Appuyez deux fois sur le bouton « TIME » - le chiffre des heures et l'indicateur « MEAL 1 » clignoteront.
- 13.4 Fixez l'heure de commencement de la même manière que pour le réglage de l'horloge, en appuyant sur le « + » ou le « - » pour régler les heures, puis en appuyant à nouveau sur le bouton « TIME » pour régler les minutes.
- 13.5 Appuyez sur le bouton « TIME ». L'indicateur « MEAL 3 » (heure de fin) clignotera. Répétez 13.4 pour régler l'heure de fin.
- 13.6 Appuyez sur le bouton « TIME », la lettre « F » accompagnée de deux zéros (« 00 ») s'affichera et clignotera à l'écran (Fig. 8). Appuyez sur les boutons « + » ou « - » pour régler les unités d'alimentation quotidienne totales.
- 13.7 Appuyez sur le bouton « TIME » pour sauvegarder le réglage.

L'écran reviendra à l'affichage de l'horloge avec les indicateurs « Frequent Feed », « MEAL 1 » et « MEAL 3 » affichés.

Pour vérifier, appuyez sur la touche « TIME » une fois pour afficher l'heure de début et deux fois pour l'heure de fin. Appuyez à nouveau pour afficher les unités d'alimentation et appuyez une dernière fois pour revenir à l'horloge.

Pour ramener le nourrisseur au mode de fonctionnement standard, maintenez les boutons « TIME » et « FEED » enfoncés simultanément pendant 5 secondes. L'indicateur « Frequent Feed » disparaîtra et l'indicateur de l'horloge s'affichera avec les indicateurs de repas pour tous les réglages précédemment programmés.

14. Arrêt du nourrisseur

Pour désactiver le nourrisseur et conserver les réglages programmés :

- 14.1 Maintenez les boutons « + » et « - » enfoncés simultanément pendant 5 secondes jusqu'à ce que la mention « OFF » apparaisse sur l'écran (fig. 9).

Réactivation du nourrisseur :

- 14.2 Maintenez les boutons « + » et « - » enfoncés simultanément pendant 5 secondes jusqu'à ce que l'écran affiche les indicateurs de l'horloge et des repas programmés.

15. Changement des piles

Lorsque l'indicateur de pile faible (fig. 2) clignote à l'écran, cela signifie qu'il est temps de changer les piles. Les piles alcalines de bonne qualité devraient durer environ 12 mois (selon le nombre d'unités d'alimentation distribuées).

IMPORTANT:

- **Pour conserver les réglages de l'horloge et de tous les repas, vous devez remplacer toutes les piles en moins de 60 secondes ! L'indicateur de pile faible disparaîtra quand le prochain repas sera servi.**
- **N'appuyez sur AUCUN bouton pendant le remplacement des piles. Cela aurait pour effet de réinitialiser l'appareil et vous auriez besoin de reprogrammer tous vos réglages.**

16. Fixation sécurisée du nourrisseur à une planche

Si votre(vos) animal(aux) est(sont) susceptible(s) d'interférer avec le nourrisseur, nous recommandons de visser ce dernier à une planche de bois de taille convenable. La méthode suivante permet de facilement retirer le nourrisseur de la planche sans outil en cas de besoin :

- 16.1 Placez l'unité de base dans la position désirée sur la planche. Tracez le contour avec un crayon (fig. 10).
- 16.2 Dessinez une ligne médiane sur le contour de l'unité de base et marquez la position de la vis comme indiqué à la fig. 11.
- 16.3 Sélectionnez une vis adéquate (fig. 12) et vissez-la dans la planche, en laissant une distance de 25 mm entre la planche et la base de la tête de la vis pour permettre le retrait du nourrisseur pour le nettoyage et le remplacement des piles.
- 16.4 Positionnez l'unité de base sur la vis et faites-la glisser en position fixée (fig. 13).
- 16.5 Alignez l'unité de base sur le contour dessiné et marquez les positions des vis de devant à l'extrémité la plus étroite des trous des vis (fig. 14).
- 16.6 Retirez l'unité de base de la planche. Appliquez 2 vis supplémentaires (comme spécifié en 16.3) et remplacez l'unité de base sur la planche (comme en 16.4). Si nécessaire, ces 2 vis peuvent être encore resserrées pour mieux sécuriser le dispositif d'alimentation.

17. Nettoyage

La trémie, son couvercle, le bol d'alimentation et le mécanisme de distribution (F) sont fabriqués dans des matériaux de grade alimentaire et peuvent être lavés au lave-vaisselle. Nettoyez l'unité de base en utilisant seulement un chiffon imbibé d'eau, les détergents et les produits à polir étant susceptibles de l'endommager.

- 17.1 Retirez le bol d'alimentation de l'unité de base par l'attrapant par les clips desserrés de chaque côté et en tirant le bol de l'appareil (fig. 15).
- 17.2 Retirez le mécanisme de distribution en libérant le clip de fixation (fig. 16).

18. Dépannage

18.1 Blocage du nourrisseur

Votre nourrisseur Cat Mate a été testé avec une variété d'aliments secs, mais dans le cas peu probable où il se coincerait, l'unité de base est programmée avec une fonction de déblocage automatique. Toutefois, si le nourrisseur est incapable de se décoincer, l'écran clignotera. Le blocage devra être éliminé manuellement, comme suit :

- Soulevez la trémie de l'unité de base.
- Faites pivoter le mécanisme de distribution à la main comme indiqué à la fig. 17 jusqu'à ce que la nourriture se déplace de nouveau librement.

REMARQUE : avant de remonter le nourrisseur, nous vous recommandons de changer les piles (voir section 15). Envisagez également l'utilisation d'un autre type d'aliment, qui sera peut-être moins enclin à se coincer.

- Remontez le nourrisseur et appuyez sur le bouton « TIME » pour arrêter le clignotement de l'affichage et reprendre un fonctionnement normal.

18.2 Aucune réponse de l'affichage

Dans le cas peu probable où l'écran ne répondrait plus, patientez 3 minutes avant d'essayer d'appuyer sur une touche. Si la fonction n'est pas rétablie, retirez les piles pendant 5 minutes. Puis, remplacez les piles et reprogrammez le nourrisseur.

1. Introducción

Gracias por elegir el Comedero Automático de Mascotas para Piensos Secos Cat Mate.

El Comedero Automático de Mascotas para Piensos Secos Cat Mate le permite programar hasta 3 comidas en un período de 24 horas, y tiene la capacidad de servir cada comida en unidades de 10g aproximadamente. Asimismo, el comedero le permitirá servir comidas antes de las horas programadas y servir comidas adicionales a petición. Para mascotas con requisitos dietéticos específicos (p. ej. gatos diabéticos), existe la opción de 'surtido frecuente' que dispensará una comida programada durante un período más largo de tiempo.

Para asegurar que los ajustes elegidos no puedan ser manipulados, los botones de control deberán pulsarse firmemente para operar.

Si comienza el proceso de configuración pero lo abandona antes de completarlo, el sistema operativo alcanzará su 'tiempo límite' después de 60 segundos y se visualizará la hora actual.

Su comedero Cat Mate se ha fabricado con materiales de calidad superior y se ha montado conforme a rigurosas normas de calidad. No obstante, recomendamos que antes del uso, observe que funciona correctamente durante un período de 3 días como mínimo.

Este comedero se ha diseñado para emitir sonido al servir comida. El sonido podría asustar en un principio a las mascotas tímidas, pero pronto aprenderán a asociar el sonido con la hora de la comida.

El comedero se ha diseñado para el uso con piensos secos (no húmedos) con un tamaño máximo de 16mm. No obstante, piensos grandes irregulares podrían ser aptos.

Al dejar sola a su mascota, asegúrese de haber tomado las medidas sanitarias necesarias, así como en lo relativo a suministro adecuado de agua. Las mascotas, en particular los perros y gatos pequeños, no deberán dejarse solos durante períodos largos sin comprobar periódicamente su bienestar.

2. Instalación de las pilas

- 1 Saque la tolva de la unidad base.
- 2 Invierta la unidad base y saque la cubierta de las pilas soltando el clip de sujeción (Fig. 3).
- 3 Inserte 4 pilas alcalinas 'C' de buena calidad siguiendo los símbolos de orientación marcados en la parte inferior del compartimiento de las pilas. Vuelva a colocar la cubierta de las pilas.

3. Ajuste del reloj

- 1 Pulse y sujete el botón 'TIME' durante 5 segundos, hasta que la cifra de la hora del reloj comience a destellar.
- 2 Pulse los botones '+' o '-' para ajustar el reloj a la hora correcta. Mantenga pulsado el botón '+' o '-' durante más de 3 segundos para desplazarse rápidamente.
- 3 Pulse el botón 'TIME' y la cifra de los minutos destellará. Ajuste los minutos utilizando los botones '+' o '-'.
- 4 Pulse el botón 'TIME' para guardar el ajuste.
- 5 Para cambiar el reloj entre los formatos de 12 horas (mañana/tarde) y 24 horas, pulse y sujete el botón 'TIME', y en menos de 3 segundos, pulse el botón '+'.

Espera 60 segundos hasta que la pantalla deje de destellar y el reloj se estabilice (Fig. 2) antes de proceder al paso siguiente.

4. Montaje del comedero de mascotas

- 1 Abra la tapa de la tolva (Fig. 4) y saque el bol comedero, la boquilla surtidora y el mecanismo de surtido.
- 2 Introduzca la boquilla en la abertura delantera situada en la base de la tolva (Fig. 5). Asegúrese de colocarla correctamente, es decir, con el orificio de la boquilla hacia abajo.
- 3 Con cuidado, inserte el mecanismo de surtido en la abertura posterior situada en la base de la tolva (Fig. 6), hasta que el clip de sujeción se encaje en posición. Monte la tolva en la unidad base.
- 4 Instale el bol comedero colocando la lengüeta de la parte posterior del bol en la unidad base, y encajando en posición los clips de resorte situados a cada lado del bol (Fig. 7).

5. Cálculo de las 'unidades de surtido' diarias

Recomendamos encarecidamente que compruebe la sección de la 'Guía de Alimentación Diaria' del paquete de su pienso seco, donde se ofrece información sobre la cantidad necesaria para mantener la salud de su mascota. Muchas mascotas son alimentadas en exceso, lo cual es caro y perjudicial para la salud del animal.

Para calcular el número de 'unidades de surtido' requeridas diariamente por su mascota, proceda de la forma siguiente:

- 1 Llene la tolva con una cantidad adecuada de pienso seco que supere abundantemente la cantidad diaria. Para mantener todo lo posible la frescura/sabor del pienso, le recomendamos que cargue suministro para 10 días como máximo.
- 2 Llene el mecanismo de surtido pulsando y sujetando el botón 'FEED', y en menos de 3 segundos, pulsando y sujetando el botón '+' hasta que la pantalla muestre '10'. Al concluir la alimentación, pulse el botón 'TIME' para volver a visualizar el reloj. Devuelva el pienso del bol comedero a la tolva.
- 3 Repita el punto 5.2 anterior, esta vez sujetando ambos botones hasta que se haya dispensado la cantidad **diaria** de pienso requerida. Cuando la cantidad diaria deseada de alimento aparezca en el bol comedero, suelte ambos botones y el comedero completará su unidad de surtido actual. Tome nota del número de unidades de surtido mostradas en la LCD. Después de 60 segundos, la pantalla volverá al reloj.
- 4 Recomendamos que pese el pienso dispensado al bol comedero y lo compare con la 'Guía de Alimentación Diaria' del paquete del pienso. Si el peso es correcto, las 'unidades de surtido diarias' de su mascota serán el número visualizado, como se indica en 5.3. Si es incorrecto, devuelva todo el pienso a la tolva y repita la instrucción 5.3, utilizando el conteo de unidades de surtido de la LCD para aumentar/disminuir la cantidad de pienso dispensada.

6. Ajuste del tamaño de las comidas

Cuando haya calculado el número de unidades de surtido diarias para su mascota, decida cómo desea que dicho número de unidades sea dispensado a lo largo de los ajustes programados para las horas de comida. (Ejemplo: Una asignación diaria de 20 unidades para su mascota puede dividirse en 3 ajustes de horas de comida: 6 unidades por la mañana, 8 unidades a mediodía y 6 unidades por la noche). **Alternativamente, considere el uso de la opción de Surtido Frecuente descrita en la sección 13.**

Ajuste los tamaños de las comidas para cada hora de comida programada de la forma siguiente:

- 1 Pulse y sujete el botón 'FEED' durante 5 segundos. La letra 'F' junto a dos ceros ('00') aparecerá y destellará en la pantalla (Fig. 8). Pulse los botones '+' o '-' para ajustar el número de unidades de surtido para este ajuste de comida.
- 2 Pulse el botón 'FEED' otra vez para ajustar los tamaños de comida para 'MEAL 2' (y 'MEAL 3').
NOTA: La programación de las unidades de surtido a dos ceros ('00') denota que la unidad de surtido está ajustada a 'off' (apagado), y que el indicador de comida no se visualizará cuando se haya completado este procedimiento.

- 3 Cuando haya programado todos los tamaños de comidas, guarde los ajustes pulsando el botón 'FEED'.

Cuando haya guardado los ajustes, aparecerá el indicador de reloj y se visualizarán los indicadores de comidas programadas bajo los iconos respectivos de boles comederos (Fig. 2). El indicador que representa la siguiente hora de comida pendiente destellará.

7. Revisión de los tamaños de comidas

Cuando se muestre el indicador de reloj, usted podrá revisar todos sus ajustes programados de tamaños de comidas, de la forma siguiente:

- 1 Pulse el botón 'FEED' - las unidades de surtido programadas para 'MEAL 1' se visualizarán durante 60 segundos.
- 2 Pulse el botón 'FEED' otra vez antes de transcurridos 60 segundos para ver las unidades de surtido programadas para 'MEAL 2', y una vez más para 'MEAL 3'.
- 3 Pulse el botón 'FEED' otra vez para volver a la pantalla del reloj.

8. Ajuste de las horas de comida (no requerido para la opción de Surtido Frecuente - ir a la sección 13)

- 1 Pulse y sujete el botón 'TIME' durante 5 segundos, hasta que la cifra de la hora del reloj comience a destellar.
- 2 Pulse el botón 'TIME' dos veces - la cifra de la hora y el indicador 'MEAL 1' destellarán.
- 3 Ajuste la hora de comida de la misma forma que el reloj, pulsando los botones '+' o '-' para ajustar las horas; pulse el botón 'TIME' otra vez y ajuste los minutos.
- 4 Cuando se visualice la hora de comida deseada, pulse el botón 'TIME'. Repita 8.3 para configurar 'MEAL 2' y 'MEAL 3'.

NOTA: Si sólo se requieren una (o dos) comidas al día, el ajuste de 'MEAL 2' (y 'MEAL 3') no resultará crítico.

- 5 Cuando haya programado todas las horas de comida, guarde los ajustes pulsando el botón 'TIME' repetidamente, hasta que se visualice el indicador del reloj (después de 'MEAL 3').

9. Revisión de las horas de comida

Cuando se muestre el indicador de reloj, usted podrá revisar todos sus ajustes de horas de comida, de la forma siguiente:

- 9.1 Pulse el botón 'TIME' para visualizar la hora de comida programada para 'MEAL 1'.
- 9.2 Pulse el botón 'TIME' otra vez antes de transcurridos 60 segundos para ver las horas de comida programadas para 'MEAL 2', y una vez más para 'MEAL 3'.
- 9.3 Pulse el botón 'TIME' otra vez para volver a la pantalla del reloj.

10. Surtido adicional (además de una comida programada)

Si desea servir unidades adicionales de pienso a su mascota en cualquier momento, pulse al mismo tiempo los botones 'FEED' y '+'. El comedero dispensará una unidad de pienso. Para servir varias unidades, mantenga pulsados ambos botones y la LCD mostrará el número total de unidades dispensadas. Suele ambos botones y la unidad completará su unidad de surtido actual. El número de unidades dispensadas se visualizará durante 60 segundos.

11. Avance de surtido (sirve la siguiente comida programada anticipadamente)

Si desea adelantar una comida programada, pulse al mismo tiempo los botones 'FEED' y '-'. El comedero dispensará la siguiente comida programada pendiente; ahora podrá soltar ambos botones. Cuando se haya servido la comida adelantada (p. ej. MEAL 2), el indicador de la siguiente comida programada (p. ej. MEAL 3) destellará en la pantalla y no se volverá a dispensar pienso hasta esa hora.

Sólo se podrán adelantar comidas programadas para el mismo día.

12. Surtido manual (dispensa pienso controlado a petición)

Esta función le permite servir una cantidad predeterminada de pienso sin programar horas de comida. Proceda de la siguiente manera:

- 12.1 Calcule el número de unidades de pienso que le gustaría servir por comida (sección 5).
- 12.2 Configure 'MEAL 1' con el número de unidades de pienso (sección 6.1).
- 12.3 Mientras destella el ajuste 'MEAL 1', pulse y sujete juntos los botones '+' y '-' durante 5 segundos, hasta que se visualice 'OFF' (Fig. 9).

Ahora, cada vez que pulse y sujete el botón 'FEED' durante 5 segundos, se dispensará la 'MEAL 1' programada.

Para volver a encender el comedero:

- 12.4 Pulse y sujete los botones '+' y '-' al mismo tiempo durante 5 segundos.

La pantalla LCD destellará hasta que se haya restablecido el ajuste del reloj.

13. Surtido frecuente (surtidos pequeños a intervalos regulares)

La función de surtido frecuente permite servir las unidades de surtido diarias (sección 5) durante el transcurso del día, dispensando una única unidad de surtido a intervalos regulares entre unas horas programadas de inicio y fin. Esta función se ha diseñado para mascotas con requisitos dietéticos específicos (p. ej. gatos diabéticos) o si desea regular la velocidad de consumo de comida de su mascota.

Las horas de inicio/fin y las unidades de surtido pueden programarse de la siguiente manera:

- 13.1 Pulse y sujete juntos los botones 'TIME' y 'FEED' durante 5 segundos, hasta que se visualice el indicador de surtido frecuente ('F') en la LCD (Fig. 2).
- 13.2 Pulse y sujete el botón 'TIME' durante 5 segundos, hasta que la cifra de la hora del reloj comience a destellar.
- 13.3 Pulse el botón 'TIME' dos veces - la cifra de la hora y el indicador 'MEAL 1' (hora de inicio) destellarán.
- 13.4 Ajuste la hora de inicio de la misma forma que el reloj, pulsando los botones '+' o '-' para ajustar las horas; pulse el botón 'TIME' otra vez para ajustar los minutos.
- 13.5 Pulse el botón 'TIME'. El indicador 'MEAL 3' (hora final) destellará. Repita 13.4 para ajustar la hora final.
- 13.6 Pulse el botón 'TIME', la letra 'F' junto a dos ceros ('00') aparecerá y destellará en la pantalla (Fig. 8). Pulse el botón '+' o '-' para ajustar el total de unidades de surtido diarias.
- 13.7 Pulse el botón 'TIME' para guardar estos ajustes.

La LCD volverá a mostrar el reloj, visualizando los indicadores de 'Surtido frecuente', 'MEAL 1' y 'MEAL 3'.

Para revisar, pulse el botón 'TIME' una vez para ver el tiempo de inicio y otra vez para el tiempo final. Pulse una vez más para ver las unidades de surtido, y pulse finalmente para volver al reloj.

Para devolver el comedero a su operación estándar, pulse y sujete juntos los botones 'TIME' y 'FEED' durante 5 segundos. El indicador de 'Surtido frecuente' desaparecerá y se visualizará el indicador de reloj junto con los indicadores de comidas que se hayan programado y guardado anteriormente.

14. Apagado del comedero

Para apagar el comedero y conservar los ajustes programados:

- 14.1 Pulse y sujete juntos los botones '+' y '-' durante 5 segundos, hasta que se visualice 'OFF' (APAGADO) en la LCD (Fig. 9).

Para volver a encender el comedero:

- 14.2 Pulse y sujete juntos los botones '+' y '-' durante 5 segundos, hasta que la LCD muestre los indicadores de reloj y de las comidas programadas.

15. Cambio de las pilas

Cuando el indicador de Pila Baja (Fig. 2.) destelle en la LCD, las pilas necesitarán recambio. Normalmente, las pilas alcalinas de buena calidad durarán unos 12 meses (dependiendo del número de unidades de surtido dispensadas).

IMPORTANTE:

- **Para conservar los ajustes del reloj y de todas las comidas, deberá quitar y cambiar todas las pilas en 60 segundos! El indicador de Pila Baja, debería apagarse cuando la siguiente comida se sirva.**
- **NO pulse ningún botón mientras quita o cambia las pilas. Si lo hace, deberá reconfigurar la unidad y reprogramar sus ajustes.**

16. Fijación del comedero a una tabla

Si su mascota(s) pudiera interferir con el comedero, le recomendamos que lo atornille a una tabla de madera de tamaño apropiado. Aplicando el método siguiente, el comedero podrá desmontarse fácilmente de la tabla sin requerir herramientas:

- 16.1 Coloque la unidad base sobre la tabla en la posición deseada. Con un lapicero, trace a su alrededor (Fig. 10).
- 16.2 Dibuje una línea central sobre el perfil de la unidad base y marque la posición de los tornillos como se muestra en la Fig. 11.
- 16.3 Seleccione un tornillo adecuado (Fig. 12) y atorníllelo a la tabla, dejando una distancia de 25mm entre la tabla y la base de la cabeza del tornillo para que el comedero pueda sacarse cuando necesite cambiar las pilas y limpiarlo.
- 16.4 Coloque la unidad base sobre el tornillo y deslícela a la posición de sujeción (Fig. 13).
- 16.5 Coloque la unidad base dentro del perfil trazado y marque las posiciones de los tornillos delanteros en el extremo más estrecho de los agujeros para tornillos (Fig. 14).
- 16.6 Quite la unidad base de la tabla. Aplique otros 2 tornillos (como se especifica en 16.3) y vuelva a colocar la unidad base sobre la tabla (como en 16.4). Si fuera necesario, estos 2 tornillos pueden atornillarse aún más para fijar mejor el comedero.

17. Limpieza

La tolva, la tapa de la tolva, el bol comedero y el mecanismo de surtido (F) están fabricados con materiales seguros para los alimentos que pueden lavarse en un lavavajillas. La unidad base deberá limpiarse con un paño humedecido en agua exclusivamente - los detergentes y abrillantadores podrían causar daños.

- 17.1 Saque el bol comedero de la unidad base apretando los clips hacia adentro a ambos lados y tirando del bol (Fig. 15).
- 17.2 Saque el mecanismo de surtido soltando el clip de sujeción (Fig. 16).

18. Resolución de problemas

18.1 Atasco en el comedero

Su comedero Cat Mate se ha comprobado exhaustivamente con diversos piensos secos, pero en el improbable caso de que el comedero se atasque, la unidad base está programada con una función automática de desbloqueo. Si el comedero no pudiera despejar el bloqueo, toda la pantalla LCD destellará. El bloqueo deberá despejarse manualmente, de la siguiente manera:

- Saque la tolva de la unidad base.
- Gire el mecanismo de surtido manualmente como se muestra en la Fig. 17, hasta que el pienso vuelva a moverse libremente.

NOTA: Antes de volver a montar el comedero, le recomendamos que cambie las pilas (véase la sección 15). Considere también el uso de un pienso diferente que sea menos propenso a atascarse.

- Vuelva a montar el comedero y pulse el botón 'TIME' para que la pantalla deje de destellar y continúe la operación normal.

18.2 La pantalla no responde

En el improbable caso de que la pantalla no responda, espere 3 minutos antes de intentar pulsar ninguno de los botones. Si no recupera el funcionamiento normal, quite las pilas durante 5 minutos. Seguidamente, vuelva a colocar las pilas y re programe el comedero.

1. Inleiding

Dank u wel voor het kiezen van de Cat Mate Automatisch Droogvoer Apparaat voor Huisdieren.

Met de Cat Mate Automatisch Droogvoer Apparaat voor Huisdieren kunt u maximaal 3 maaltijden per 24 uur programmeren met de mogelijkheid om elke maaltijd in porties van ongeveer 10g te serveren. Bovendien kunt u met de voerautomaat maaltijden niet alleen vóór hun geprogrammeerde tijd serveren, maar ook extra maaltijden naar behoefte. Voor huisdieren met specifieke dieetbehoeften (bijv. diabetes katten) is er een optie 'frequent voeren' die een geprogrammeerde maaltijd over een langere tijdsperiode zal doseren.

Het stevig indrukken van de regelknoppen voorkomt dat uw ingestelde tijden gemakkelijk verstoord kunnen worden.

Als u het instelproces begint en er voortijdig mee ophoudt, dan stopt het besturingssysteem na 60 seconden en ziet u de actuele tijd op de display.

Uw Cat Mate voerautomaat is gemaakt van hoogwaardig materiaal en is in overeenstemming met strenge kwaliteitsnormen gemonteerd. Wel adviseren wij u voor het gebruik minstens 3 dagen te controleren of het apparaat juist werkt.

Deze voerautomaat is zo gemaakt dat hij geluid geeft als er voer geserveerd wordt. Aanvankelijk kan het geluid schuwe huisdieren laten schrikken, maar ze leren snel om het geluid met voertijd te associëren.

De voerautomaat is gemaakt voor het gebruik van droog (niet vochtig) voer met een maximale afmeting van 16mm. Groot, onregelmatig voer kan echter wel geschikt zijn.

Als u uw huisdier alleen laat, zorg dan dat er voldoende water is en dat er mogelijkheden zijn om zijn behoefte te doen. Huisdieren, met name jonge honden en poesjes, mogen niet lang alleen worden gelaten zonder dat iemand van tijd tot tijd controleert of alles in orde is.

2. Het plaatsen van de batterijen

1. Til de voedselbak uit het onderstuk.
2. Keer het onderstuk om en haal het dekplaatje van de batterijen af door het klemmetje in te drukken (afb. 3).
3. Vier hoogwaardige alkaline 'C' batterijen plaatsen volgens de plaatsingsymbooltjes onderin het batterijcompartiment. Dekplaatje van batterijen terugplaatsen.

3. Instellen van de klok

1. 'TIJD' knop indrukken en 5 seconden ingedrukt houden totdat het uurscijfer op de klok begint te knippen.
2. Druk op de '+' of '-' knop om het juiste uur op de klok in te stellen. Houd de '+', of '-' knop meer dan 3 seconden ingedrukt om door te scrollen.
3. Druk op de 'TIJD' knop en het minutencijfer zal knippen. Stel de juiste minuten in met behulp van de '+' of '-' knop.
4. Op de 'TIJD' knop drukken om de instelling op te slaan.
5. De klok kan omgeschakeld worden van 12 uur- naar 24 uurformaat door de 'TIJD' knop in te drukken en ingedrukt te houden en binnen 3 seconden op de '+' knop te drukken.

Wacht 60 seconden totdat de display niet meer knippert en de klok is ingesteld (afb. 2) alvorens naar de volgende stap te gaan.

4. Montage van de voerautomaat voor huisdieren

1. Maak de deksel van de voedselbak open (afb. 4) en haal voerbak, voedingstuit en voermechanisme eruit.
2. Duw de tuit in de voorste opening aan de onderkant van de voedselbak (afb. 5). Zorg voor de correcte plaatsing met de opening van de tuit omlaag gericht.
3. Steek het voermechanisme voorzichtig in de achteropening aan de onderkant van de voedselbak (afb. 6) totdat het klemmetje in de juiste stand vastklikt. Plaats de gemonteerde voedselbak in het onderstuk.
4. Plaats de voerbak door het lipje aan de achterbak in het onderstuk te zetten en de veerklemmetjes aan beide kanten van de bak op hun plaats vast te klikken (afb. 7).

5. Berekening van dagelijkse 'voercyclussen'

Wij raden u ten sterkste aan de 'dagelijkse voedingsrichtlijn' op de verpakking van uw droogvoer goed te lezen met informatie over de gewenste hoeveelheid voor het behoud van een goede gezondheid van uw huisdier. Veel huisdieren krijgen te veel voer wat niet alleen duur is maar ook nadelig voor de gezondheid van uw huisdier.

De berekening van het aantal dagelijks benodigde 'voercyclussen' voor uw huisdier gaat als volgt:

1. Vul de voedselbak met een geschikte hoeveelheid droogvoer ruim boven de aanbevolen dagelijkse hoeveelheid. Om het voer zo fris/appetiteus mogelijk te houden, raden wij aan maximaal 10 dagen voer te laden.
2. Het voermechanisme vult u door de 'VOER' knop in te drukken en ingedrukt te houden en binnen 3 seconden op de '+' knop te drukken totdat de display '10' aangeeft. Als het voeren gestopt is, moet men de 'TIJD' knop indrukken om de klok weer in de display te zien. Leg het voer in de bak weer in de voedselbak.
3. Herhaal 5.2 (zie boven) maar houd deze keer beide knoppen ingedrukt totdat de gewenste **dagelijkse** hoeveelheid is gedoseerd. Als de gewenste hoeveelheid voer in de bak zit laat u beide knoppen los en de voerautomaat voltooit de voercyclus in actie. Noteer het aantal voereenheden dat op de LCD te zien is. Na 60 seconden verschijnt de klok weer in de display.
4. Wij raden u aan om het gedoseerde voer uit de voerbak te wegen en te controleren met de 'dagelijkse voedingsrichtlijn' op de voedselverpakking. Als het gewicht juist is, dan zijn de 'dagelijkse voercyclussen' van uw huisdier het vertoonde aantal aangegeven in 5.3. Als het niet juist is, moet u al het voer weer in de voedselbak leggen en instructie 5.3. herhalen waarbij u gebruik maakt van de telling van de voercyclus op de LCD om de hoeveelheid gedoseerd voer te vergroten/vermindern.

6. Het bepalen van het maaltijdvolume

Zodra u het aantal dagelijkse voercyclussen voor uw huisdier hebt berekend, besluit u hoe u wilt dat dat aantal cyclussen over de geprogrammeerde maaltijdinstellingen gedoseerd wordt. (Voorbeeld: Een dagelijks rantsoen van 20 cyclussen kan verdeeld worden over 3 maaltijdinstellingen van 6 cyclussen 's morgens, 8 cyclussen tussen de middag en 6 cyclussen 's avonds.) **Als alternatief kunt u de Frequent Voeroptie kiezen zoals beschreven in paragraaf 13.**

Het maaltijdvolume voor elke geprogrammeerde maaltijd stelt u als volgt in:

1. Druk op de 'VOER' knop en houd 5 seconden ingedrukt. De letter 'F' verschijnt naast de twee nullen ('00') en knippert op de display (afb. 8). Druk op de '+' of '-' knop om het aantal voercyclussen voor deze maaltijdinstelling in te stellen.
2. Druk nog eens op de 'VOER' knop om het maaltijdvolume voor 'MAAL 2' (en 'MAAL 3') in te stellen.
NB. Als men de voercyclussen programmeert met twee nullen ('00') betekent dit dat de voercyclus op 'uit' staat en dan zal het indicatielampje voor de maaltijd niet branden als deze procedure is voltooid.
3. Als alle maaltijdvolumes geprogrammeerd zijn, slaat u uw instellingen op door op de 'VOER' knop te drukken.

Zodra de instellingen zijn opgeslagen, verschijnt het indicatielampje van de klok en de geprogrammeerde indicatielampjes voor de maaltijden verschijnen onder de respectievelijke voerbak icoontjes (afb. 2). Het indicatielampje dat de tijd van de volgende maaltijd aangeeft begint te knippen.

7. Overzicht maaltijdvolumes

Als het indicatielampje van de klok brandt kunt u al uw geprogrammeerde maaltijdvolume instellingen als volgt bekijken:

1. Druk op de 'VOER' knop - de geprogrammeerde voercyclussen ingesteld voor 'MAAL 1' zijn 60 seconden zichtbaar.
2. Nogmaals binnen 60 seconden de 'VOER' knop indrukken om de geprogrammeerde voercyclussen voor 'MAAL 2' te zien en weer voor 'MAAL 3'.
3. De 'VOER' knop opnieuw indrukken om de klok weer in het afleesvenster te zien.

8. Het instellen van de tijd voor elk maal (Niet nodig bij de optie Frequent Voeren - ga naar paragraaf 13)

1. De 'TIJD' knop indrukken en 5 seconden ingedrukt houden totdat het uurscijfer op de klok begint te knippen.
2. Druk tweemaal op de 'TIJD' knop - het uurscijfer en het indicatielampje 'MAAL 1' beginnen te knippen.
3. Stel de tijd van het maal op dezelfde manier als de klok in; druk op knop '+' of '-' om de uren bij te stellen, druk nogmaals op de 'TIJD' knop en stel de minuten bij.
4. Als de gewenste tijd van het maal verschijnt, op de 'TIJD' knop drukken. Herhaal 8.3 om 'MAAL 2' en 'MAAL 3' in te stellen.

NB. Als slechts één (of twee) maaltijden per dag zijn gewenst, is de instelling voor 'MAAL 2' (en 'MAAL 3') niet belangrijk.

5. Sla uw instellingen op zodra de maaltijden geprogrammeerd zijn en druk herhaaldelijk op de 'TIJD' knop totdat het indicatielampje brandt (na 'MAAL 3').

9. Overzicht maaltijden

Als het indicatielampje van de klok brandt kunt u al uw geprogrammeerde tijdstellingen van maaltijden als volgt bekijken:

- 9.1 Druk de 'TIJD' knop in en de geprogrammeerde tijd voor 'MAAL 1' verschijnt.
- 9.2 Nogmaals binnen 60 seconden de 'TIJD' knop indrukken om de geprogrammeerde tijden voor 'MAAL 2' te zien en weer voor 'MAAL 3'.
- 9.3 De 'TIJD' knop opnieuw indrukken om de klok weer in het afleesvenster te zien.

10. Extra voer (naast een ingestelde Maaltijd)

Als u op een willekeurig moment uw huisdier extra porties voer wilt geven, moeten de 'VOER' en '+' knop gelijktijdig ingedrukt worden. De voerknop doseert één voercyclus. Houd beide knoppen ingedrukt als u een aantal porties wilt voeren en op de LCD verschijnt het totale aantal gedoseerde porties. Laat beide knoppen los en het apparaat voltooit zijn voercyclus. Het aantal gedoseerde porties blijft 60 seconden zichtbaar.

11. Vervroegd voeren (de volgende ingestelde Maaltijd wordt eerder gegeven)

Als u een geprogrammeerde ingestelde maaltijd eerder wilt geven, moeten de 'VOER' en '-' knop gelijktijdig ingedrukt worden. De voerautomaat doseert de volgende geprogrammeerde maaltijd en u mag nu beide knoppen loslaten. Nadat de vervroegde ingestelde maaltijd (bijv. MAAL 2) gegeven is, knippert het indicatielampje van de volgende geprogrammeerde maaltijd en voer wordt niet gedoseerd tot die ingestelde tijd.

U kunt uitsluitend maaltijden geprogrammeerd voor die dag vroeger geven.

12. Niet automatisch voeren (dosering van afgemeten voercyclussen naar behoefte)

Met deze functie kunt u een vooraf bepaalde hoeveelheid voer geven zonder maaltijden te programmeren. Ga als volgt te werk:

- 12.1 Bereken het aantal voercyclussen dat u per maaltijd wilt geven (paragraaf 5).
- 12.2 Stel 'MAAL 1' in met het aantal voercyclussen (paragraaf 6.1).
- 12.3 Druk terwijl 'MAAL 1' knippert, de '+' en '-' knop in en houd samen 5 seconden ingedrukt totdat 'UIT' verschijnt (afb. 9).

Elke keer dat u nu de 'VOER' knop indrukt en 5 seconden vasthoudt, wordt het geprogrammeerde 'MAAL 1' gedoseerd.

Om de voerautomaat weer aan te zetten:

- 12.4 De '+' en '-' knop samen 5 seconden ingedrukt houden.

De LCD knippert totdat de tijd op de klok weer is ingesteld.

13. Frequent Voeren (regelmatig kleine voerporties)

Met de optie Frequent Voeren kunnen de dagelijkse voercyclussen (paragraaf 5) in de loop van de dag gegeven worden, waarbij een enkele voercyclus regelmatig tussen een geprogrammeerde start- en eindtijd wordt gedoseerd. De functie is bestemd voor huisdieren met specifieke dieetbehoeften (bijv. diabetes katten) of als u de opnamesnelheid van voer door uw huisdier wilt regelen.

De start/eindtijden en de voercyclussen kunnen als volgt worden geprogrammeerd:

- 13.1 De 'TIJD' en 'VOER' knoppen gelijktijdig indrukken en ingedrukt houden totdat het indicatielampje Frequent Voeren ('F') op de LCD verschijnt (afb. 2).
- 13.2 De 'TIJD' knop indrukken en 5 seconden ingedrukt houden totdat het uurcijfer op de klok begint te knipperen.
- 13.3 Druk tweemaal op de 'TIJD' knop - het uurcijfer en het indicatielampje 'MAAL 1' (starttijd) beginnen te knipperen.
- 13.4 Stel de starttijd van het maal op dezelfde manier in als de klok; druk op de knoppen '+' of '-' om de uren bij te stellen, druk nogmaals op de 'TIJD' knop en stel de minuten bij.
- 13.5 Druk op de 'TIJD' knop. Het indicatielampje 'MAAL 3' (eindtijd) zal knipperen. Herhaal 13.4 om de eindtijd in te stellen.
- 13.6 Op de 'TIJD' knop drukken en de letter 'V' verschijnt naast de twee nullen ('00') en knippert op de display (afb. 8). Druk op de '+' of '-' knop om het totale dagelijkse voercyclussen in te stellen.
- 13.7 Druk op de 'TIJD' knop om deze instellingen op te slaan.

De klok verschijnt weer op de LCD met de indicatielampjes 'Frequent Voeren', 'MAAL 1' en 'MAAL 3'.

Als u de start/eindtijden wilt bekijken, de 'TIJD' knop indrukken om de starttijd te zien en nog een keer voor de eindtijd. Nog een keer indrukken om de voercyclussen te bekijken en tenslotte drukken om naar de klok terug te keren.

De 'TIJD' en 'VOER' knop samen 5 seconden ingedrukt houden om de voerautomaat weer in standaardwerking te zetten. Het indicatielampje 'Frequent Voeren' verdwijnt en het indicatielampje van de klok verschijnt samen met de indicatielampjes van alle reeds opgeslagen geprogrammeerde instellingen.

14. Het afzetten van de voerautomaat

Om het voerapparaat uit te zetten en de geprogrammeerde instellingen te houden:

- 14.1 Druk de knop '+' en '-' samen in en houd 5 seconden ingedrukt totdat "UIT" op de LCD verschijnt (afb. 9).

Om de voerautomaat weer aan te zetten:

- 14.2 Houd de knop '+' en '-' samen 5 seconden ingedrukt totdat de klok en de indicatielampjes van de ingestelde maaltijd op de LCD verschijnen.

15. Batterijen verwisselen

Als het indicatielampje Batterij Bijna Leeg (afb. 2.) op de LCD knippert, moeten de batterijen vervangen worden. Goede hoogwaardige alkaline batterijen gaan meestal ongeveer 12 maanden mee (afhankelijk van het aantal gedoseerde voercyclussen).

BELANGRIJK!

- **Om de instelling van de klok en alle maaltijden te behouden, moet u alle batterijen binnen 60 seconden verwijderen en vervangen! Het indicatielampje Batterij Bijna Leeg moet uitgaan als de volgende maaltijd wordt geserveerd.**
- **NIET op knoppen drukken tijdens het verwijderen of vervangen van de batterijen. Anders wordt het apparaat gereset en moeten alle instellingen opnieuw geprogrammeerd worden.**

16. Bevestiging van de voerautomaat op een plank

Als de kans bestaat dat uw huisdier(en) de voerautomaat verstoren, raden wij aan de voerautomaat op een passende houten plank vast te schroeven. Onderstaande methode zorgt dat de voerautomaat zo nodig zonder gereedschap gemakkelijk van de plank kan worden verwijderd:

- 16.1 Zet het onderstuk op de gewenste plaats op de plank. Met een potlood een lijn om de afdruk trekken (afb. 10).
- 16.2 Teken een middellijn door de omtrek van het onderstuk en kruis de plaats van de schroef aan - zie afb. 11.
- 16.3 Kies een passende schroef (afb. 12) en schroef hem in de plank, waarbij een ruimte van 25 mm tussen plank en onderkant van de kop moet worden vrijgelaten, zodat de voerautomaat verwijderd kan worden om deze schoon te maken of om de batterijen te vervangen.
- 16.4 Zet het onderstuk op de schroef en schuif het vast (afb. 13).
- 16.5 Zet het onderstuk binnen de getekende omtreklijn en markeer de plaatsen van de voorste schroeven binnen het smalle deel van de schroefgaten (afb. 14).
- 16.6 Haal het onderstuk van de plank. Nog 2 schroeven indraaien (als aangegeven in 16.3) en zet het onderstuk weer op de plank (zie 16.4). Indien nodig, kunnen deze 2 schroeven dieper ingeschroefd worden om de voerautomaat steviger te vast te zetten.

17. Reiniging

Voedselbak, deksel voedselbak, voerbak en voermechanisme (F) zijn van voedselveilig materiaal gemaakt dat in een vaatwasser kan worden afgewassen. Maak het onderstuk uitsluitend met een vochtige doek schoon - schoonmaakmiddelen en glansmiddelen kunnen schade veroorzaken.

- 17.1 Haal de voerbak uit het onderstuk door de veerklemmen aan beide kanten vast te houden en de bak uit het apparaat te trekken (afb. 15).
- 17.2 Verwijder het voermechanisme door het klemmetje los te maken (afb. 16).

18. Troubleshooting

- 18.1 Verstopping in de voerautomaat

Uw Cat Mate voerautomaat is uitvoerig getest met diverse soorten droogvoer maar mocht de voerautomaat toch verstopt raken, dan is het onderstuk geprogrammeerd met een automatische reinigingsfunctie. Als de voerautomaat echter de verstopping niet kan verwijderen, knippert het hele LCD scherm. De verstopping dient vervolgens als volgt met de hand vrijgemaakt te worden:

- Til de voedselbak uit het onderstuk.
- Draai het voermechanisme met de hand om - zie afb. 17 - totdat het voer weer ongehinderd beweegt.

NB. Het is raadzaam om de batterijen te vervangen voordat u de voerautomaat weer in elkaar zet (zie paragraaf 15.) U zou ook kunnen overwegen een ander type voer te kiezen dat misschien minder gemakkelijk verstopping veroorzaakt.

- Zet de voerautomaat weer in elkaar en druk op de 'TIJD' knop, zodat de display niet meer knippert en de normale werking wordt hervat.

- 18.2 Display functioneert niet

Mocht het de display niet functioneren - wat onwaarschijnlijk is - wacht dan 3 minuten wachten alvorens op de knoppen te gaan drukken. Verwijder, als dan alles nog niet normaal werkt, de batterijen 5 minuten. Plaats ze daarna weer terug en programmeer de voerautomaat opnieuw.

GUARANTEE

Pet Mate Ltd. guarantee your product for a period of 3 years from the date of purchase, subject to proof of purchase date. The guarantee is limited to any defect arising due to faulty materials or manufacture. Any defective item will be repaired or replaced free of charge at the manufacturer's discretion, provided that the defect has not been caused by neglect, misuse or normal wear and tear. Your statutory rights are not affected.

D GARANTIE

Pet Mate Ltd übernimmt die Garantie für diesen Artikel für 3 Jahre ab Kaufdatum, vorausgesetzt, dass ein Kaufbeleg zur Verfügung steht. Die Garantie ist auf Mängel beschränkt, die auf fehlerhaftes Material oder Produktionsfehler zurückzuführen sind. Fehlerhafte Artikel werden nach Ermessen des Herstellers kostenlos repariert oder ersetzt, vorausgesetzt, dass der Defekt nicht durch ein Missgeschick, Vernachlässigung, falsche Bedienung oder normale Abnutzung verursacht wurde. Ihre gesetzlichen Rechte sind nicht betroffen.

F GARANTIE

Pet Mate Ltd. garantit votre achat pour une période de trois ans à partir de la date d'achat contre tous vices de fabrication ou de construction. Les articles défectueux seront remplacés ou réparés gratuitement à la discrétion du fabricant, sous réserve que le mauvais fonctionnement ne soit pas le résultat d'un usage inadapté ou abusif ou d'une usure normale. Ces conditions n'affectent pas vos droits statutaires.

E GARANTÍA

Pet Mate Ltd. garantiza su producto durante un período de 3 años a partir de la fecha de compra, siempre y cuando se presente el recibo de compra. La garantía se limita a aquellos fallos que se produzcan como consecuencia de materiales o fabricación defectuosos. Todo artículo defectuoso se reparará o reemplazará a la discreción del fabricante, siempre y cuando el defecto no haya sido causado por negligencia, uso indebido o el uso y desgaste normales. Sus derechos estatutarios no resultarán afectados.

NL GARANTIE

Pet Mate geeft vanaf de datum van aankoop 3 jaar lang garantie op dit produkt mits u de aankoopbon overlegt. Deze garantie betreft slechts defecten ten gevolge van materiaal- of fabrieksfout. Elk defect onderdeel wordt gratis gerepareerd of vervangen, dit ter beoordeling van de fabrikant, en op voorwaarde dat het defect niet ontstaan is door onzorgvuldigheid, onjuist gebruik of door normale slijtage. Dit heeft geen effect op uw vastgelegde rechten.

© **PET MATE Ltd.**

Lyon Road, Hersham, Surrey KT12 3PU, England.

N. America only:

ANI MATE

104A Longview Drive, Conroe, TX 77301

34716/0810